

INSTRUCTION MANUAL FOR



RUGER® LC CARBINE™



– Rugged, Reliable Firearms® –



**READ THE INSTRUCTIONS AND
WARNINGS IN THIS MANUAL CAREFULLY
BEFORE USING THIS FIREARM**

© 2023 Sturm, Ruger & Co., Inc.

This manual may not be reproduced in whole or in part without the express written permission of Sturm, Ruger & Co., Inc.

**For Service on This Model Please Call:
(336) 949-5200 (See p. 59)**

THIS INSTRUCTION MANUAL SHOULD ALWAYS ACCOMPANY THIS FIREARM AND BE TRANSFERRED WITH IT UPON CHANGE OF OWNERSHIP, OR WHEN THE FIREARM IS LOANED OR PRESENTED TO ANOTHER PERSON

RUGER.COM

LCC 1/2023 R1

State-By-State Warnings

Certain states require by law that their own specified warning notices in larger-than-normal type be conspicuously included by the manufacturer, distributor or retailer with firearms sold in that state. Sturm, Ruger & Co., Inc. sells its products in compliance with applicable laws and regulations. Because our products may be sold in these states, we include the following:

California:

WARNING

“Firearms must be handled responsibly and securely stored to prevent access by children and other unauthorized users. California has strict laws pertaining to firearms, and you may be fined or imprisoned if you fail to comply with them. Visit the Web site of the California Attorney General at <https://oag.ca.gov/firearms> for information on firearm laws applicable to you and how you can comply.

Prevent child access by always keeping guns locked away and unloaded when not in use. If you keep a loaded firearm where a child obtains and improperly uses it, you may be fined or sent to prison.

If you or someone you know is contemplating suicide, please call the national suicide prevention lifeline at 1-800-273-TALK (8255).”

ADVERTENCIA

“Las armas de fuego deben manipularse de manera responsable y segura para evitar el acceso de niños y otros usuarios no autorizados. California tiene leyes estrictas relacionadas con armas de fuego, y usted puede ser multado o encarcelado si no las cumple. Visite el sitio web del Procurador General de California en <https://oag.ca.gov/firearms> para obtener información sobre las leyes de armas de fuego que le son aplicables y cómo puede cumplirlas.

A los niños los atraen las armas de fuego y las pueden hacer funcionar. Ellos pueden causarse lesiones graves y la muerte. Evite que los niños tengan acceso a las armas de fuego guardándolas siempre con llave y descargadas cuando no las esté utilizando. Si usted tiene un arma de fuego cargada en un lugar en que un niño tiene acceso a ella y la usa indebidamente, le pueden dar una multa o enviarlo a la cárcel.

Si usted o alguien que conoce está pensando en suicidarse, llame a la línea nacional de prevención del suicidio al 1-800-273-TALK (8255).”

Connecticut:

“UNLAWFUL STORAGE OF A LOADED FIREARM MAY RESULT IN IMPRISONMENT OR FINE.”

Florida:

“IT IS UNLAWFUL, AND PUNISHABLE BY IMPRISONMENT AND FINE, FOR ANY ADULT TO STORE OR LEAVE A FIREARM IN ANY PLACE WITHIN THE REACH OR EASY ACCESS OF A MINOR UNDER 18 YEARS OF AGE OR TO KNOWINGLY SELL OR OTHERWISE TRANSFER OWNERSHIP OR POSSESSION OF A FIREARM TO A MINOR OR A PERSON OF UNSOUND MIND.”

Maine:

“ENDANGERING THE WELFARE OF A CHILD IS A CRIME. IF YOU LEAVE A FIREARM AND AMMUNITION WITHIN EASY ACCESS OF A CHILD, YOU MAY BE SUBJECT TO FINE, IMPRISONMENT OR BOTH. KEEP FIREARMS AND AMMUNITION SEPARATE. KEEP FIREARMS AND AMMUNITION LOCKED UP. USE TRIGGER LOCKS.”

Maryland:

“WARNING: Children can operate firearms which may cause death or serious injury. It is a crime to store or leave a loaded firearm in any location where an individual knew or should have known that an unsupervised minor would gain access to the firearm. Store your firearm responsibly!”

Massachusetts:

“IT IS UNLAWFUL TO STORE OR KEEP A FIREARM, RIFLE, SHOTGUN OR MACHINE GUN IN ANY PLACE UNLESS THAT WEAPON IS EQUIPPED WITH A TAMPER-RESISTANT SAFETY DEVICE OR IS STORED OR KEPT IN A SECURELY LOCKED CONTAINER.”

New Jersey:

“IT IS A CRIMINAL OFFENSE TO LEAVE A LOADED FIREARM WITHIN EASY ACCESS OF A MINOR.”

New York:

“THE USE OF A LOCKING DEVICE OR SAFETY LOCK IS ONLY ONE ASPECT OF RESPONSIBLE FIREARM STORAGE. FOR INCREASED SAFETY, FIREARMS SHOULD BE STORED UNLOADED AND LOCKED IN A LOCATION THAT IS BOTH SEPARATE FROM THEIR AMMUNITION AND INACCESSIBLE TO CHILDREN AND UNAUTHORIZED PERSONS.”

North Carolina:

“IT IS UNLAWFUL TO STORE OR LEAVE A FIREARM THAT CAN BE DISCHARGED IN A MANNER THAT A REASONABLE PERSON SHOULD KNOW IS ACCESSIBLE TO A MINOR.”

Texas:

“IT IS UNLAWFUL TO STORE, TRANSPORT, OR ABANDON AN UNSECURED FIREARM IN A PLACE WHERE CHILDREN ARE LIKELY TO BE AND CAN OBTAIN ACCESS TO THE FIREARM.”

Wisconsin:

“IF YOU LEAVE A LOADED FIREARM WITHIN THE REACH OR EASY ACCESS OF A CHILD YOU MAY BE FINED OR IMPRISONED OR BOTH IF THE CHILD IMPROPERLY DISCHARGES, POSSESSES, OR EXHIBITS THE FIREARM.”

* * * * *

Please check with your licensed retailer or state police for additional warnings which may be required by local law or regulation. Such regulations change constantly, and local authorities are in the best position to advise you on such legal matters.

FIREARMS SAFETY IS YOUR RESPONSIBILITY

SAFETY MUST BE THE FIRST AND CONSTANT CONSIDERATION OF EVERY PERSON WHO HANDLES FIREARMS AND AMMUNITION.

This instruction manual is designed to assist you in learning how to use and care for your **RUGER® LC CARBINE™** properly. Please contact us if you have any questions.

Only when you are certain you fully understand the manual and can properly carry out its instructions should you practice loading, unloading, etc. with live ammunition. If you have any doubts about your ability to handle or use a particular type of firearm safely, you should seek supervised instruction. Such personalized instruction often is available from local firearm retailers, gun clubs or police departments. If none of these sources can help, visit nra.org or write to the following address:

National Rifle Association
11250 Waples Mill Road
Fairfax, VA 22030-7400

The person possessing a firearm has a full-time job. You cannot guess; you cannot forget. You must know how to use your firearm safely. **Do not use any firearm without having a complete understanding of its particular characteristics and safe use.** Remember: There is no such thing as a foolproof firearm.



WARNINGS OF GREAT IMPORTANCE ARE FOUND ON THE FOLLOWING PAGES:

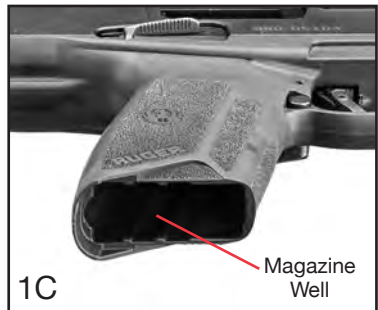
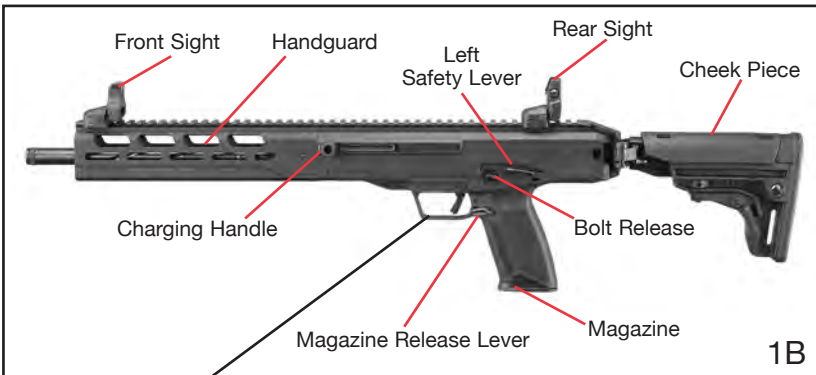
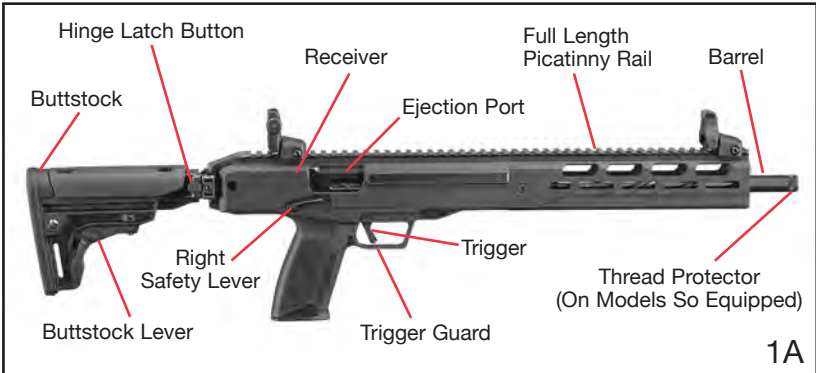
Locking Devices	8	Unloading	26
Alterations	10	Bore Obstructions	28
National Firearms Act	11	Malfunctions	30
Manual Safety	12	Disassembly	30
Jarring Rifle	13	Lubrication	53
Ammunition	20	Storage	58
Lead Exposure	20	Shipping	59
Firing	24	Parts Purchasers	60
Handling	25		

**OTHER CAUTIONS AND WARNINGS APPEAR
THROUGHOUT THE MANUAL.**

TABLE OF CONTENTS

State-By-State Warnings	2
Nomenclature	7
Locking Device Installation Instructions	8
General Information and Mechanical Characteristics	10
Operation of Manual Safety	11
Operation of Bolt Release	13
Operation of Magazine Release	14
Reversible Charging Handle	15
Ammunition	20
Magazines	21
Dry Firing	22
To Load and Fire (With Magazine)	23
To Reload the Rifle	25
If Necessary, To Load and Fire (Without Magazine)	26
To Unload	26
To Clear a Malfunction (“Jam” or “Misfire”)	28
To Minimize Malfunctions (“Jams” or “Misfires”)	29
Disassembly	30
Grip Frame Removal	31
Bolt and Return Spring Removal	32
Handguard Removal	34
Stock Disassembly From Rifle	35
Disassemble the Buttstock From the Receiver Extension	36
Removing the Cheek Piece	36
Reassembly	37
Handguard Reassembly	37
Bolt and Return Spring Reassembly	37
Installing the Cheek Pad	40
Reassembling the Buttstock to Receiver Extension	40
Buttstock Reassembly to Receiver	41
Grip Frame to Receiver Reassembly	41
Reversible Magazine Release Replacement Instructions	43
Reversible Folding Buttstock (On Models So Equipped)	47
Buttstock Adjustment (On Models So Equipped)	49
Check Your Rifle’s Function	51
To Clean and Lubricate	52
Inspection and Maintenance	53
Sight Installation and Adjustment	54
Threaded Barrel (On Models So Equipped)	56
Storage	58
Service and Parts Policy	59
Shipping Firearms for Repair	59
Ordering Parts	60
Parts Lists	61
Exploded Views	64 - 69
The Basic Rules of Safe Firearms Handling	70
Warranty Information	76

NOMENCLATURE



Figures 1A, B, C. These illustrations identify the frequently used operating components.

LOCKING DEVICE INSTALLATION INSTRUCTIONS



WARNING – USE OF LOCKING DEVICES



**Do not store keys
in lock.**

- Always keep your firearm pointed in a safe direction, including when you are installing or removing your locking device.
- Always verify that your firearm is completely **unloaded** before installing your locking device.
- Do **not** install locking devices in the trigger guard; always keep your fingers and locking device outside the trigger guard during device installation and removal.
- Store firearms, ammunition and keys separately and securely, away from children and careless adults; do **not** store your firearm with the keys in the locking device.
- Do not attempt to work the action of your firearm with the locking device in place; this may damage your firearm.
- While locking devices are an important aid to security measures, they are not a substitute for safe firearm handling and proper storage. Remember that any mechanical device can be bypassed with enough time, knowledge, determination and equipment.

**LOCKING DEVICES MUST BE
USED SAFELY AND
RESPONSIBLY**

It is important to use the locking device on your Ruger® firearm when the firearm is stored or immediate use is not planned.

Keep the muzzle pointed in a safe direction and your fingers outside the trigger guard at all times!

To Install the Factory-Supplied Locking Device:



1. Remove the magazine from your rifle. Be sure the firearm and its magazine are completely unloaded and contain no cartridges or cartridge cases!

2. Open the action completely. When the bolt is all the way back, push up on the bolt release to keep the action open.
3. Insert the cable directly into your rifle as shown in Figure 2.
4. To lock: With the key turned to the farthest clockwise position, insert the loose end of the cable into the lock. Turn the key counterclockwise and remove it from the lock.
5. Once the lock is securely closed, pull firmly on the lock to test the connection and be sure it is locked. **Do not leave or store your firearm with the key in the lock!** Store your locked unloaded firearm and the key in secure, separate locations, away from ammunition, children, and unauthorized adults.



**Correct installation of the lock on a
RUGER® LC CARBINE™ .**

**FIREARMS ARE DANGEROUS WEAPONS.
READ THE INSTRUCTIONS AND WARNINGS IN THIS
MANUAL THOROUGHLY AND CAREFULLY BEFORE USING.**

 WARNING—ALTERATIONS	
	This product was designed to function properly in its original condition. Alterations can make it unsafe. Do not alter any part or add or substitute parts not made or sold by Sturm, Ruger & Co., Inc.
	DO NOT ALTER ANY FIREARM

GENERAL INFORMATION AND MECHANICAL CHARACTERISTICS

The **RUGER® LC CARBINE™** is an internal hammer-fired, magazine-fed, autoloading, blowback operated, centerfire rifle. The **RUGER® LC CARBINE™** features a Secure Action™ fire-control mechanism similar to the RUGER-5.7™, LCP® II, and SECURITY-9® pistols. Ruger's safe, reliable and proven Secure Action™ fire-control mechanism combines a protected internal hammer with a bladed safety trigger. The hammer and sear are designed to engage with significant mechanical overlap. This requires additional cocking of the hammer during trigger pull and keeps the hammer and sear securely engaged under the full force of the hammer spring. Additionally, a neutrally balanced sear and strong sear spring ensure continuous, positive engagement of the hammer. The trigger has a short, smooth pull, clean break, and positive reset. Despite longer cartridges, the steel magazines and high strength glass fiber nylon grip frame provide a slim comfortable grip not much larger than most 9mm double-stack pistols. The textured grip frame provides a secure gripping surface in all conditions. The **RUGER® LC CARBINE™** features ambidextrous manual safety levers and an extended magazine release. The handguard and receiver are precision CNC machined aluminum with an integral Picatinny rail. The handguard also features M-Lok® slots. Integral to the receiver is a rear rail section for the attachment of aftermarket buttstocks. The **RUGER® LC CARBINE™** also features a reversible, non-reciprocating charging handle.

The **RUGER® LC CARBINE™** utilizes a blowback design in which the barrel and two-piece bolt are held together by the recoil spring at the moment of firing. Depressing the trigger safety allows the trigger to fully travel rearward. The trigger bar transfers this movement to the sear, which rotates in contact with the hammer, compressing the hammer spring until the sear disengages and the hammer falls against the firing pin, igniting the primer. The recoiling bolt pushes down the trigger bar, disconnecting it from the sear.

As the bolt travels rearward, the rear bolt and attached extractor pull the spent cartridge case from the chamber and cock the internal hammer. As the bullet moves down the barrel and exits, the two-piece bolt moves rearward until impacting the buffer pad.

After the bolt reaches full rearward travel, the compressed recoil spring begins to push the bolt forward. The rear bolt picks up the top cartridge from the magazine, pushing it into the chamber. Releasing the trigger allows the trigger bar to move back into position, resetting the rifle to its ready-to-fire condition.

The user of this or any autoloading rifle must always remember that when fired, it automatically reloads and re-cocks itself, so that simply pulling the trigger will fire the rifle again. Removing the magazine does not prevent the rifle from firing. The firearm can be fired with the magazine removed if there is a round in the chamber. Therefore, an autoloading rifle user must be particularly conscious to always keep the rifle pointed in a safe direction.

The **RUGER® LC CARBINE™**, as equipped from the factory, is not regulated by the National Firearms Act (“NFA”). However, alterations to the rifle (including removal of the stock assembly) may reclassify the rifle as an NFA-regulated firearm. For more information about the NFA, please visit ATF.gov.



WARNING – NATIONAL FIREARMS ACT

The National Firearms Act, 26 U.S.C. Chapter 53, prohibits the unauthorized making, manufacture, and possession of certain firearms, including:

- 1) A rifle having a barrel of less than 16 inches in length;
- 2) A weapon made from a rifle if such weapon as modified has an overall length of less than 26 inches or a barrel of less than 16 inches in length; and
- 3) A handgun with a secondary vertical fore-grip installed.

Unauthorized possession, making, or manufacture of any NFA-regulated firearm is a felony under the NFA and may also be illegal under state or local law.

All users should familiarize themselves with and comply with all federal, state, and local laws and regulations regarding the possession and use of firearms.

OPERATION OF MANUAL SAFETY

The **RUGER® LC CARBINE™** is equipped with ambidextrous external manual safety levers. The safety should be in its “safe” position at all times except as necessary for the operation and maintenance of the rifle.

The ambidextrous manual safety may be engaged or disengaged from either the left or right side lever. To engage the safety, move either the right- or left-hand safety lever fully upward to the “safe” position. The safety levers will point to the “S” on either side. If the safety levers are pointing elsewhere, the safety is not in the “safe” position. Do not attempt to engage the safety while pulling the trigger.

The safety mechanism locks the trigger bar which locks the trigger. The trigger cannot be pulled with the safety on.

To disengage the manual safety, **point the rifle in a safe direction** and push either safety lever fully downward. Both safety levers pointing to the “F” on either side of the grip frame signifies that the safety is disengaged and the rifle is ready to fire.

See Figures 3 and 4, below, which illustrate the two positions of the safety.

“SAFE” POSITION
(Lever Pointed Toward “S”)





Figure 3

“FIRE” POSITION
(Lever Pointed Toward “F”)



Figure 4

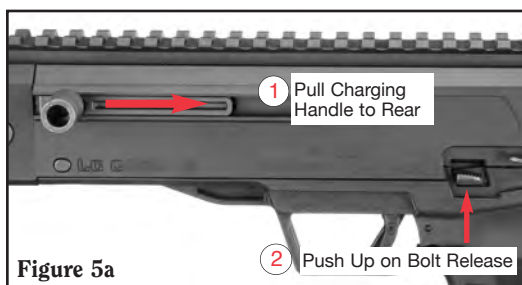
 WARNING - MANUAL SAFETY	
	<p>Placing the safety in an intermediate position between “safe” and “fire” can result in the user thinking the rifle is in a safe or fire position when it is not. Pulling the trigger with the safety in an intermediate position may cause the rifle to fire. Therefore, always move the safety <u>fully</u> to its intended position and <u>check</u> to be sure it is where you want it to be.</p> <p>Keep the safety “ON” unless actually firing. Always move the safety fully to its intended position and <u>check</u> it. The safety is not “ON” unless it is completely “ON.” Never depend on a safety mechanism or any other mechanical device to justify careless handling or permitting the rifle to point in an unsafe direction. The only “safe” rifle is one in which the bolt is open, the chamber is empty, and there is no magazine in the firearm.</p>
KNOW HOW TO USE THE SAFETY	

Additional safety features include: integrated trigger safety to block the trigger unless it is intentionally pulled; neutrally balanced sear with significant engagement and strong spring tension; and hammer catch to help prevent the hammer from contacting the firing pin unless the trigger is pulled.

OPERATION OF BOLT RELEASE

When the last shot has been fired and the magazine is empty, the bolt release automatically holds the bolt open. Likewise, fully retracting the bolt manually when there is an empty magazine in the rifle will also hold the bolt open. To lock the bolt to the rear when there is a loaded magazine inserted in the rifle, or no magazine in the rifle, first point the rifle in a safe direction then fully retract the bolt using the charging handle with the non-firing hand while pushing up on the bottom of the bolt release with the firing hand (see Figure 5a). If a round was chambered, it should extract and eject as you retract the bolt manually. Once the bolt is locked back, visually inspect the chamber to ensure it is empty. The non-reciprocating charging handle can be returned to the forward position.

To release the bolt, remove the empty magazine and simply pull the bolt back using the charging handle with the non-firing hand and let it go. Alternately, you can depress the bolt release with your finger (see Figure 5b). If a loaded magazine is inserted, pulling the bolt back with the charging handle and letting it go (or depressing the bolt release), will chamber a round. Keep your fingers away from the trigger and ejection port, and keep the muzzle pointed in a safe direction.



WARNING – JARRING RIFLE CAN RELEASE BOLT AND CHAMBER A ROUND

The bolt release is NOT a safety device. It should not be used to hold the bolt back when there are cartridges in the magazine. A slight jar to the butt end of the rifle CAN cause the bolt release to disengage and feed a cartridge into the chamber. The bolt release should only be relied upon to hold the bolt in its rearward position when the chamber is empty and an empty magazine is in place. The bolt release is there for convenience when changing magazines and to hold the bolt in its rearward position when the rifle is unloaded for cleaning or inspection.

OPERATION OF MAGAZINE RELEASE

When a magazine is fully inserted into the magazine well, it is automatically held in place by the spring-loaded magazine latch. The magazine release is the button or lever to the rear of the trigger guard. *Different configurations may be included or available as Genuine Ruger factory accessories on ShopRuger.com.* When depressed, the magazine release will permit removal of the magazine from the rifle. Under normal conditions, the magazine will fall free of the rifle when the magazine release is depressed. To avoid damage and debris entering the magazine, do not let it fall to the ground. In the event the magazine becomes stuck in the magazine well, it can be manually extracted by pressing the magazine release while pulling on the magazine base pad (see Figure 6).



WARNING: Removing the magazine does not prevent the rifle from firing. The rifle can be fired with the magazine removed if there is a cartridge in the chamber. Therefore, an autoloading rifle user must be particularly conscious to always keep the rifle pointed in a safe direction and keep fingers out of the trigger guard and away from the trigger when not firing.

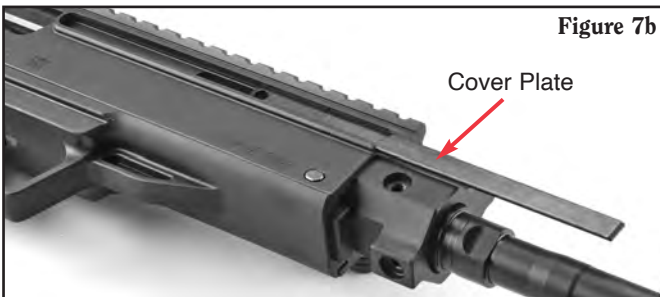
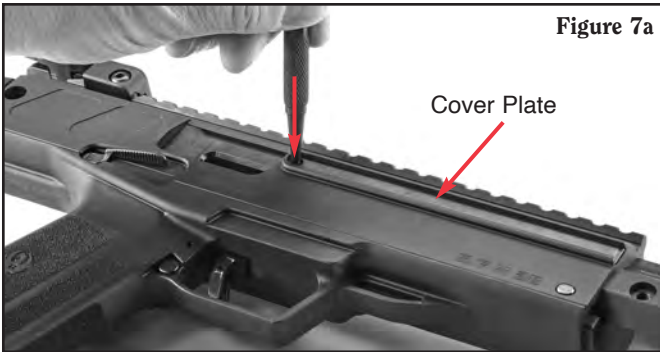
REVERSIBLE CHARGING HANDLE

The charging handle of the **RUGER® LC CARBINE™** can be configured for either left- or right-handed operation.

The handguard must be removed to reverse the charging handle. See Handguard Removal instructions on p. 34.

1. **CAUTION: Wear eye protection.** Insert a non-marring tool into the hole of the cover plate (see Figure 7a) and slide the cover plate forward until it is no more than 2/3 free of the receiver (see Figure 7b).

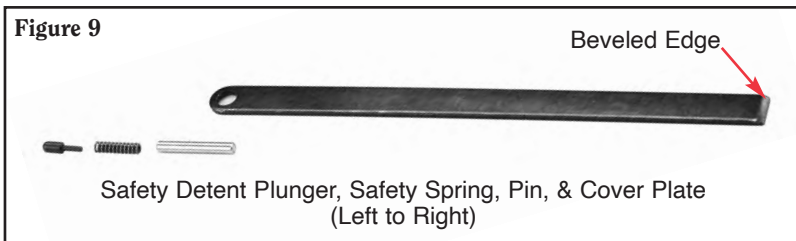
WARNING: There is a spring-loaded pin under heavy tension which will be released when the hole in the cover plate reaches it.



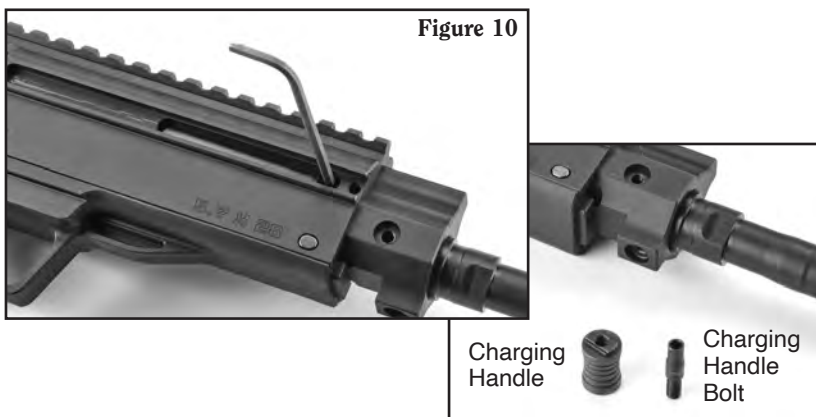
2. Cup one hand over the hole in the cover plate and use the other hand to pull the cover plate forward. (See Figure 8.) The spring-loaded pin will pop out and should be captured by hand.



- Tilt the rifle over and allow the contents of the small hole that is now exposed to fall free. These include a pin, a safety spring, and a safety detent plunger (see Figure 9). If stuck, they can be gently pushed out from the opposite side with a small punch or hex wrench. Set these aside in a secure place for reuse. Slide the cover plate all the way off.



- Reaching through the receiver from the reverse side where the charging handle is located with a 1/8" hex wrench and unscrew the charging handle bolt. (See Figure 10.) **NOTE:** If extra leverage is needed, a socket screwdriver or pliers may be used on the leg of the hex wrench. Set the charging handle aside and carefully remove the charging handle bolt through the slot with the hex wrench by leaving the hex wrench in the bolt and tilting the rifle over on the opposite side.



- Flip the rifle over. Insert the non-marring tool through the hole in the side plate and pull it forward for removal. (See Figure 11.)



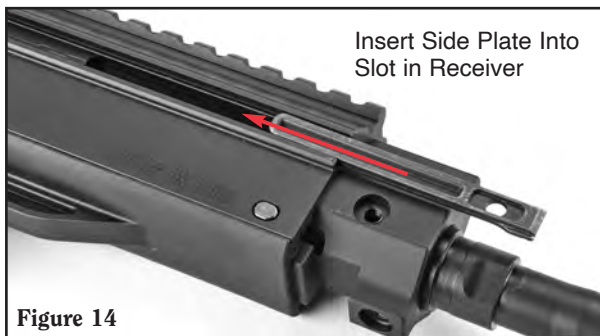
- Using a small flathead screwdriver, remove the charging detent stop by turning it counterclockwise. (See Figure 12.)



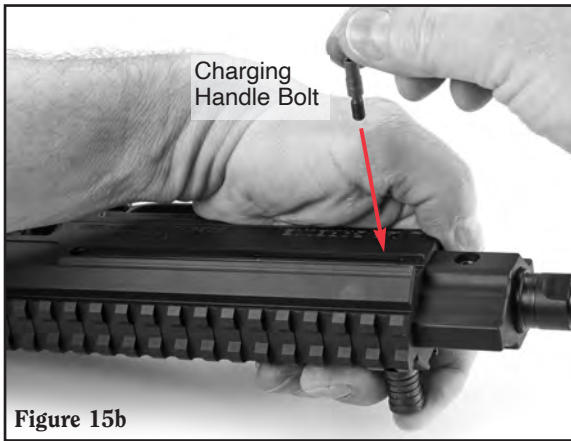
- Flip the rifle over. Using a small flathead screwdriver, install the charging detent stop by turning it clockwise (see Figure 13). Torque the detent stop to 10-15 in-lb.



- Insert the slide plate into the slot of the receiver. (See Figure 14.)



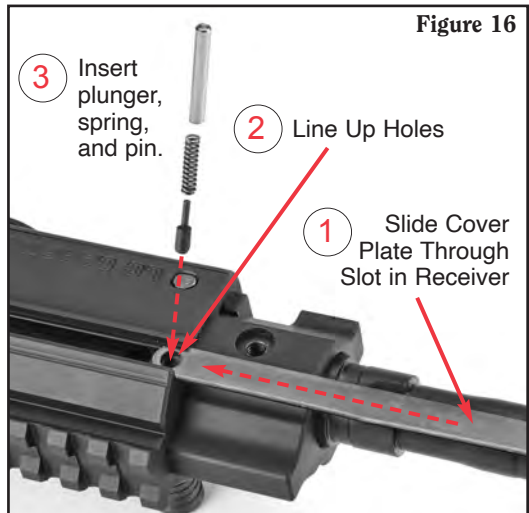
9. Place the charging handle over the hole in the side plate (see Figure 15a). While holding the charging handle in place, insert the charging handle bolt through the opposite side of the receiver (see Figure 15b). Tighten the bolt to 20-25 in-lb.



10. Slide the cover plate through the slots on left-side of the receiver so the hole in the cover plate lines up with the hole in the receiver. (See Figure 16.)

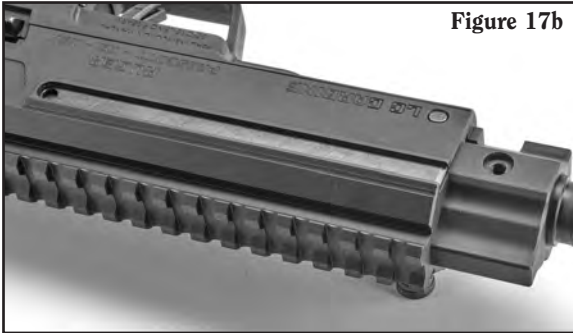
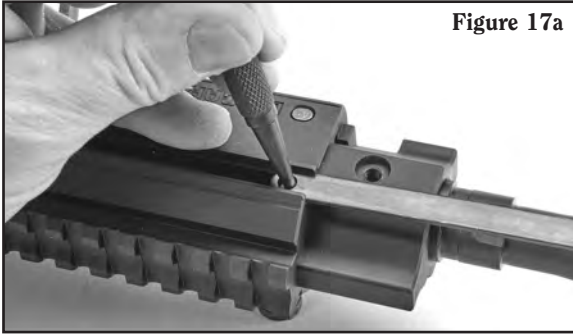
NOTE: Be sure to insert the cover plate with the beveled flat edge facing up as shown in Figure 9, p. 16.

Insert the detent plunger, spring, and pin in the hole as demonstrated in Figure 16.



11. Using a punch or 1/8" hex wrench, press down on the pin in the hole of the cover plate. **WARNING: The spring-loaded pin is under heavy tension.**

As you compress the pin, slide the cover plate over the hole and all the way to the rear. (See Figures 17a & 17b.)






AMMUNITION

Be certain to use the correct cartridge for your firearm, and do not attempt to load any other cartridges into the magazine or chamber of the rifle other than what is specified.



The **RUGER® LG CARBINE™** is compatible with newly loaded factory ammunition conforming to C.I.P. standard dimensions and pressures for 5.7x28mm ammunition. **No "+P" or "+P+" ammunition should ever be used in this firearm.**

No reloaded ammunition should ever be used in this firearm. The use of non-conforming, reloaded, or specialty ammunition may reduce reliability or cause damage or injury.

 WARNING – AMMUNITION	
	Use only new, factory ammunition of the correct caliber. Death, serious injury, and damage can result from the wrong ammunition, bore obstructions, powder overloads or incorrect cartridge components. <u>Always wear shooting glasses and hearing protection.</u>
	IMPROPER AMMUNITION DESTROYS FIREARMS

AMMUNITION (CARTRIDGES) NOTICE

WE SPECIFICALLY DISCLAIM RESPONSIBILITY FOR ANY DAMAGE OR INJURY WHATSOEVER OCCURRING IN CONNECTION WITH, OR AS A RESULT OF, THE USE IN ANY RUGER FIREARMS OF FAULTY, OR NON-STANDARD, OR "REMANUFACTURED" OR HAND-LOADED (RELOADED) AMMUNITION, OR OF CARTRIDGES OTHER THAN THOSE FOR WHICH THE FIREARM WAS ORIGINALLY CHAMBERED.

 WARNING – LEAD EXPOSURE	
	Discharging firearms in poorly ventilated areas, cleaning firearms, or handling ammunition may result in exposure to lead and other substances known to the State of California to cause birth defects, reproductive harm, and other serious physical injury. Have adequate ventilation at all times. Wash hands thoroughly after exposure.
	SHOOTING OR CLEANING FIREARMS MAY EXPOSE YOU TO LEAD

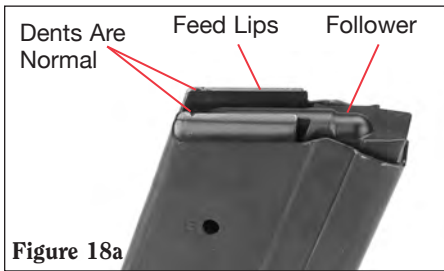
MAGAZINES

Use only **GENUINE RUGER® FACTORY** magazines designated for your firearm. The use of incorrect magazines in any rifle may result in malfunctions. Check the magazine frequently. The magazine follower must move freely and have adequate tension so that each cartridge is quickly raised to the feeding position. The magazine feed lips should be clean and free of cracks so that cartridges are held in their proper feeding position. If damage is present, the magazine should be replaced. **NOTE:** The rear “dents” on each side of the feed lips help retain the rim of the cartridge and are normal. (See Figure 18a.)

To load the magazine, press cartridges straight down through the feed lips, one at a time, until the magazine is full.

Ensure the top cartridge is fully seated against the rear of the magazine. (See Figure 18b.)

To unload the magazine, slide each cartridge forward and out of magazine, one at a time, until the magazine is empty.

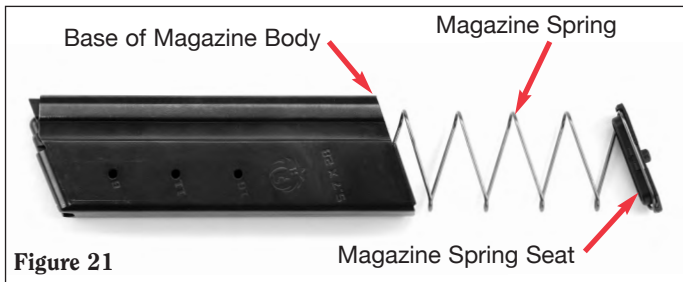


If the magazine becomes dirty, it should be disassembled and thoroughly cleaned. Be sure the magazine is unloaded before disassembly. Use a punch to press in on the magazine spring seat where it protrudes into the hole in the magazine floorplate (see Figure 19). Slide the magazine floorplate toward the front of the magazine. **CAUTION: The magazine spring is under heavy spring tension.** Be careful to prevent the forcible ejection of the magazine spring seat and compressed magazine spring by retaining them with your hand while removing the floorplate (see Figure 20). Withdraw the magazine spring seat, magazine spring, and magazine follower from the magazine body.



Reassemble the magazine in the reverse order, making sure that the spring and follower are oriented as shown in Figure 21.

Insert the magazine spring with the magazine spring seat parallel to the base of the magazine body.



DAMAGED, NON-STANDARD OR IMPROPERLY ASSEMBLED MAGAZINES SHOULD NOT BE USED. THEY CAN CAUSE THE RIFLE TO MALFUNCTION.

Clean all magazine components with a brush or rag to remove residue. You may use a suitable solvent that will not rust the metal components or adversely affect the magazine body. After cleaning, remove all excess solvent from the magazine components. A few drops of light oil applied to a lint free cloth and wiped on the magazine body and spring will help prevent rust. It is not necessary to lubricate the magazine.

WARNING: Penetrating oils and solvents inside a magazine can “kill” or weaken cartridge primers or powder which can result in failures to fire or other possibly dangerous malfunctions, such as leaving a bullet in the bore!

After cleaning and reassembling the magazine, always check to be certain that the magazine follower moves freely and forcefully to the top of the magazine and that no solvent or debris remain. Improper reassembly of the magazine can cause malfunctions.

DRY FIRING

Going through the actions of cocking, aiming and pulling the trigger on an unloaded firearm is known as “dry firing.” It can be useful to learn the “feel” of your firearm. Be certain that the firearm is fully unloaded (both the chamber and magazine are empty) and that it is pointing in a safe direction when you are practicing dry firing. The **RUGER® LC CARBINE™** can be dry fired without damaging the firing pin or other components.

The firearm should never be dry fired while disassembled. This could result in damaging the ejector.

NOTE: When dry firing the **RUGER® LC CARBINE™**, the trigger mechanism will not reset unless the bolt is retracted approximately 1”.

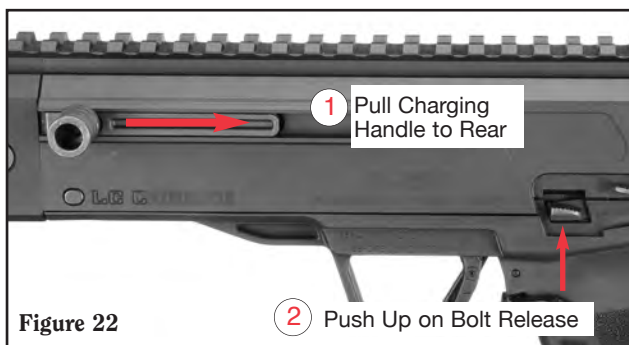
TO LOAD AND FIRE (WITH MAGAZINE)

Practice this important aspect of firearm handling (with an unloaded firearm) until you can perform each of the steps – described below – with skill and confidence. But before you do anything with the rifle, please first read completely through this manual. **Keep your finger off the trigger until you are ready to immediately shoot at a target!**

Before each firing session, visually inspect the firearm and its magazine to ensure no components are damaged, missing, loose, bent, cracked, chipped, or peened. Ensure the firearm is free of dirt, dust, sand, lint, or environmental debris. The firearm should be clean and lightly lubricated in accordance with the instructions (see p. 52). You should also perform a function check (see page 33) on the unloaded firearm to ensure it operates properly and that all safety devices are in proper working order.

1. **Be certain the muzzle is pointed in a safe direction and the safety lever is in the upward “safe” position. Keep your finger off the trigger until you are ready to immediately shoot at a target! Ensure your target lies in a safe direction with adequate backstop beyond it.** (See “The Basic Rules of Safe Firearms Handling,” p. 70.)
2. Pull the charging handle fully to the rear until the bolt stops and lock it open by pushing upward on the bolt release (see Figure 22).
3. Insert a loaded magazine into the grip frame, taking care that the magazine is locked in place by the magazine latch. Inserting the magazine forcibly is not necessary.
4. Hold the rifle firmly in the shooting hand with your fingers away from the trigger. Keep the rifle pointed in a safe direction. With the other hand, grasp the charging handle and pull the bolt to the rear as far as it will go. When released, the bolt will fly forward to strip the top cartridge from the magazine and chamber it.

The firearm is now loaded. If the firearm is not to be fired immediately, the safety should remain in the “safe” position.





WARNING – FIRING



The bolt automatically opens and shuts quickly while firing. Keep face and hands away from it. Hot brass and powder gas are ejected quickly and can burn you. The firearm should be fired from the shoulder. Always wear shooting glasses and hearing protection.

**BOLT OPENS FAST–
HOT BRASS EJECTED**

5. Keeping your rifle pointed downrange, bring the rifle to your shoulder and, using the sights, take aim at your target. Move the safety lever to the downward “fire” position. The first shot can be fired by pulling the trigger all the way to the rear. Subsequent shots are fired one at a time by repeated pulling of the trigger until the magazine is empty.
6. At any time, if the rifle is not being fired, keep it pointed in a safe direction (downrange) and place the safety lever in the upward “safe” position.
7. When the last cartridge in the magazine has been fired, the empty magazine will activate the bolt release and hold the bolt open. If the bolt is shut, the shooter should always assume that there is a cartridge in the chamber!
8. **DO NOT** rely on your memory or the word of others to know if a firearm or magazine is loaded. With the rifle pointed in a safe direction, visually inspect the magazine and chamber.

NOTE on Chamber Checks: Hold the rifle at an angle where you can clearly see the chamber in the rear of the barrel. If you cannot clearly see the chamber with the bolt fully retracted, you can manually control the bolt and ease it forward slightly to get a better view of the chamber. Then, fully retract the bolt once more to lock it open with the bolt release.



WARNING – HANDLING



If dropped or struck, the firearm may fire. Keep chamber empty unless actually firing! Keep safety “ON” unless actually firing!

**ANY FIREARM
MAY FIRE IF
DROPPED**

TO RELOAD THE RIFLE

1. Firing all cartridges in the magazine and the chamber will cause the bolt to automatically lock open. **Keep the rifle pointed in a safe direction.** Engage the safety by moving the safety lever upward so that the levers are pointing to the “S” on either side of the receiver. Press down on the magazine release. The magazine will fall free of the rifle. To avoid damage and debris entering the magazine, do not let it fall to the ground.
2. Insert a loaded magazine. **WARNING: When there is a loaded magazine in place and the rifle is jarred, the bolt can fly forward and chamber a cartridge. For this reason and as an essential safety practice, the rifle should always be pointed in a safe direction with fingers away from the trigger.**
3. Release the bolt by pulling the charging handle fully to the rear and releasing it or by depressing the bolt release. A cartridge will be chambered when the bolt shuts. **NOTE: DO NOT attempt to control the charging handle while chambering a round. This may result in the round not chambering properly.**



The firearm is now loaded. If the firearm is not to be fired immediately, the safety should remain in the “safe” position.
4. When you are finished firing the rifle, unload it completely (see “To Unload” p. 26).

IF NECESSARY, TO LOAD AND FIRE (WITHOUT MAGAZINE)

The **LC CARBINE™** can be used in a single-shot mode in the absence of a magazine or for safety or training purposes. To do so, place the firearm on safe, remove the magazine, and lock the bolt to the rear. Next, carefully place a single cartridge into the chamber. The chamber can be accessed through the ejection port. Retract the charging handle to its extreme rearward position and release it. This will cause the bolt to be released and move fully forward. The firearm is now loaded.

CAUTION: The bolt is under heavy spring tension and can injure fingers if it were to slam shut!

If the firearm is not to be fired immediately, the safety should remain in the “safe” position. Firing the firearm will cock the hammer though, without a magazine, the bolt will not remain open after the single round is fired.

 WARNING – UNLOADING	
	<p>Removing the magazine DOES NOT unload the firearm and DOES NOT prevent the firearm from firing if a round is in the chamber!</p> <p>Always keep the firearm pointed in a safe direction and the safety “ON” when loading or unloading.</p> <p>To completely unload the firearm, first remove the magazine, then pull the bolt to the rear, eject the chambered cartridge, and visually inspect the chamber to confirm it is empty.</p>
	FIREARM WILL FIRE WITH MAGAZINE OUT

TO UNLOAD

(Firearm Must Be Kept Pointed In A Safe Direction)

UNLOAD THE FIREARM IMMEDIATELY WHEN YOU ARE FINISHED SHOOTING!

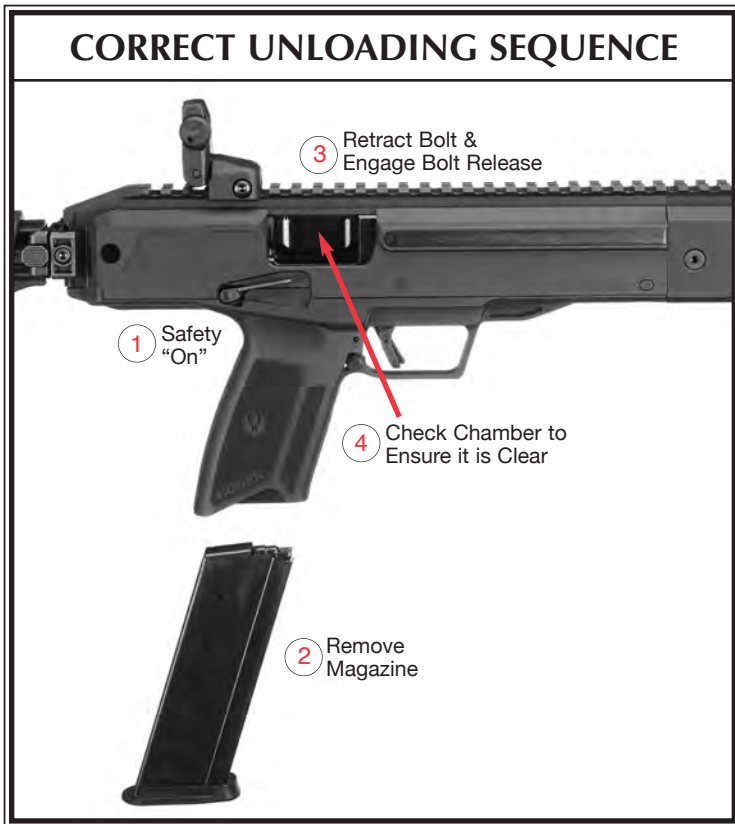
NOTE: This sequence must be followed exactly. Failure to do so can result in the firearm’s chamber becoming unintentionally loaded with a cartridge!

1. Keep the muzzle pointed in a safe direction at all times and keep fingers outside the trigger guard. Move the safety to the “safe” position.
2. Remove the magazine. If an empty magazine is in the firearm when a cartridge is extracted from the chamber, it may be ejected into the magazine area instead of outside the firearm. **Remember** that even though the magazine has been removed, a cartridge remaining in the chamber can still be fired!
3. Using the charging handle, vigorously retract the bolt to its open position to extract the chambered cartridge and hold it in place by pressing the bolt release up (see p. 13).

4. Always visually double check the chamber to be certain it is empty. Hold the rifle at an angle where you can clearly see the chamber in the rear off the barrel.

NOTE on Chamber Checks: Hold the rifle at an angle where you can clearly see the chamber in the rear of the barrel. If you cannot clearly see the chamber with the bolt fully retracted, you can manually control the bolt and ease it forward slightly to get a better view of the chamber. Then, fully retract the bolt once more to lock it open with the bolt release.

5. The only “safe” firearm is one in which the bolt is open, the chamber is empty, and there is no magazine in the firearm.
6. At this point, you may insert the cable lock for storage.
7. Cartridges can be removed from the magazine by sliding each cartridge forward and out of the magazine, one at a time, until the magazine is empty. Do not use a loaded cartridge or other items as a ‘tool’ to strip cartridges from the magazine.





WARNING – BORE OBSTRUCTIONS



Before loading or shooting your **LC GARBINE™**, be certain the bore is unobstructed. *Firing the rifle with any obstruction in the bore may result in severe damage to the rifle and serious injury to the shooter and other persons nearby.*

A MISFIRE or unusual report (sound) upon firing is always a signal to cease firing immediately. After waiting for one minute, remove the magazine, lock the bolt open, and ensure that the chamber is empty. It is not sufficient to only examine the chamber in these instances. You must be certain the bore is free from obstructions. In some firearms, it will not be possible to easily make a determination by simply looking. In such cases, you should use a rod to confirm the bore is free of obstructions. Failure to detect and correctly remove a bore obstruction can result in serious injury to the shooter and bystanders, and damage to the firearms.

**DO NOT “SHOOT OUT”
A BORE OBSTRUCTION**

TO CLEAR A MALFUNCTION (“JAM” or “MISFIRE”)

Any autoloading firearm may occasionally malfunction. If it does:

1. Be certain the muzzle is pointed in a safe direction and the safety is on “safe” at all times. Be certain bystanders are not close and that you are wearing eye and hearing protection and that your face is a safe distance from the firearm so that any discharge resulting from a jammed cartridge will not injure anyone.
2. If the misfire is the result of a cartridge not firing or unusual report (either louder or quieter than normal), keep the firearm pointed in a safe direction for one minute. Then, remove the magazine, retract the bolt to remove the cartridge from the chamber, and lock the bolt to the rear. Inspect the cartridge to determine if it had been fired or struck by the firing pin.
3. If you suspect a bullet or other obstruction may be lodged in the bore, first unload then, using a cleaning rod, inspect the bore for a bore obstruction. Bore obstructions must be removed using a properly sized cleaning rod and reasonable force. *Failure to detect and correctly remove a bore obstruction can result in serious injury.*

4. In the event of a fired or unfired cartridge is stuck in the ejection port area, (failure to feed or eject) first, if possible, remove the magazine.
 - a. Use extreme care if the magazine is held in place by a partially chambered cartridge.
 - b. Keep your face away from the ejection port during this operation.
 - c. Use only wooden 'tools' so that a cartridge will not be ignited if you strike a primer, and so that the chamber and magazine will not be damaged. A 3/16" wood dowel rod with a point on one end is useful.
5. In the event a fired or unfired cartridge is stuck in the chamber (failure to extract) first, if possible, remove the magazine and draw the bolt vigorously to the rear several times to bring the jammed cartridge along. If not, hold the bolt open with the bolt release and, using only wooden tools, attempt to free the cartridge. Never use a cleaning rod to push out an unfired cartridge.
6. Safely dispose of any cartridges involved in a malfunction incident. Do not use damaged ammunition in any firearm.
7. If the malfunction cannot be corrected, contact a gunsmith or Ruger Customer Service.

TO MINIMIZE MALFUNCTIONS ("JAMS" or "MISFIRES")

Most malfunctions are caused by improper or damaged magazines, ammunition, or poor maintenance.

1. Clean and inspect the magazines according to the instructions on pp. 21 and 22.
2. Use only correct factory loaded ammunition. Try changing to another type or brand of ammunition of the proper caliber. When using any autoloading firearm, form the habit of examining fired cartridge cases. If they frequently show splits or bulges on any part of the case, cease using that type of ammunition and try a different type of the same caliber. If the problem persists, contact Ruger Customer Service.
3. Clean and lubricate the firearm according to the instructions on p. 52. Pay particular attention to the bolt, the extractor, the chamber, and the feed ramp. (See the "To Clean and Lubricate" section p. 52 for detailed cleaning instructions).
4. Remove excess oil and solvent from all cleaned components, load the magazine, and try the firearm again. As always, proceed slowly. **Be certain bystanders are not close and that you are wearing eye and hearing protection and that your face is a safe distance from the firearm so that any discharge resulting from a jammed cartridge will not injure anyone.**

If the above procedures do not result in a smooth and reliably functioning firearm, cease using the firearm and contact Ruger Customer Service. See the Service and Parts Policy section p. 59 of this manual.



WARNING – MALFUNCTIONS



Any jam or feeding problem is a signal to immediately stop using the firearm until it can be determined what is wrong. Most failures of a cartridge to feed or to chamber are caused by a damaged magazine, improper firearm handling, or defective ammunition.

Whatever the cause, cartridge jams can result in the potentially dangerous situation of a cartridge discharging before it is chambered. If this occurs, the cartridge case will rupture and its fragments will fly out of the firearm with sufficient force to cause injury. Always wear shooting glasses and hearing protectors! Keep face away from chamber!

**STOP USING YOUR
FIREARM IMMEDIATELY**

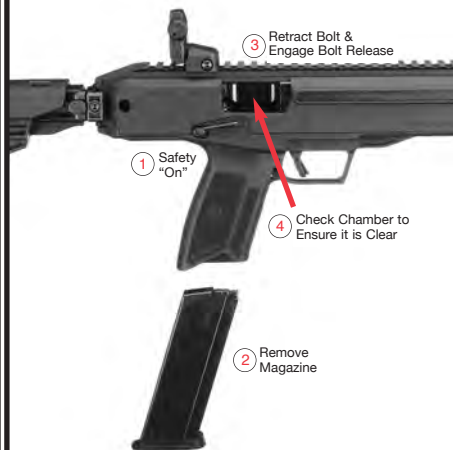
DISASSEMBLY

Make Sure Firearm Is Unloaded!

An on-line video demonstrating the disassembly and reassembly of the **RUGER® LC CARBINE™** can be viewed by going to Ruger.com/TechTips.



WARNING – DISASSEMBLY



Always unload a firearm before cleaning, lubrication, disassembly or assembly.

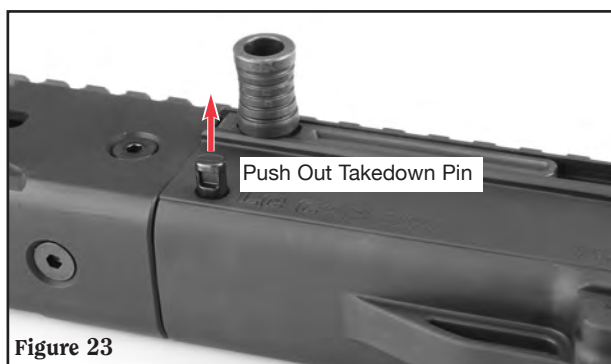
**UNLOAD BEFORE
DISASSEMBLY**

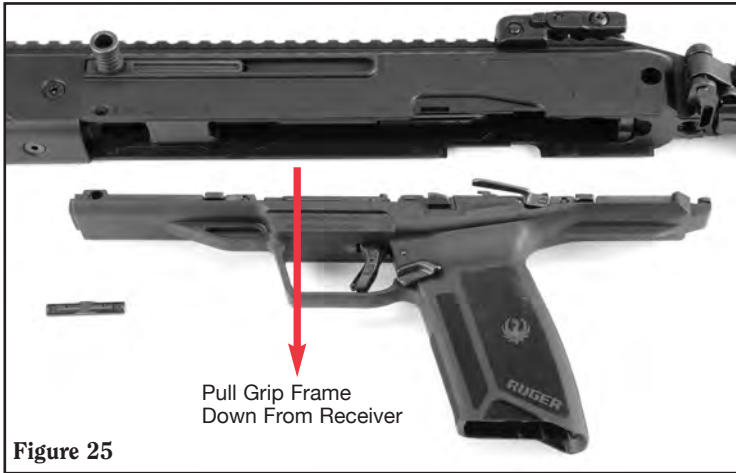
WARNING: Always remove the grip frame prior to removing or swapping butt stock assemblies. (See “Warning – National Firearms Act” p. 11)

NOTE: After ensuring your **LC CARBINE™** is unloaded (see pages 26 - 27), be sure the bolt is in the forward position before removing the grip frame. See “Operation of Bolt Release,” p. 13.

Grip Frame Removal – (See Figures 23 - 25):

1. Using a punch or similar tool, push the takedown pin out of the receiver from either side. Be sure to retain the takedown pin.
2. With the muzzle pointed in a safe direction and keeping your fingers clear of the trigger guard, securely grasp the handguard and pull rearward on the grip.
3. Slide the grip frame assembly rearward, then down and off of the receiver assembly.





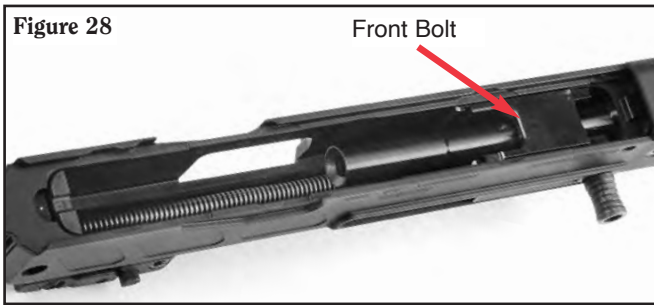
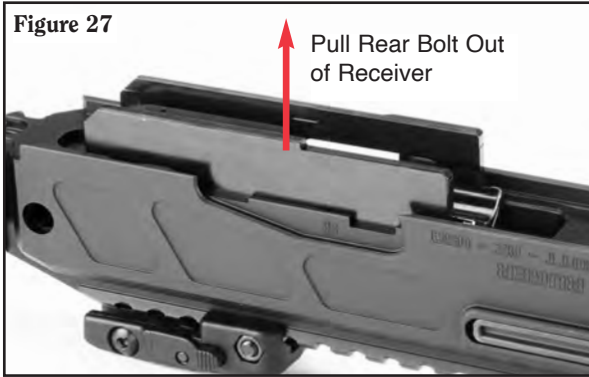
Bolt and Return Spring Removal – (See Figures 26 - 31):

1. With the receiver assembly upside down, slide the two piece bolt all the way rearward with the charging handle so the rear bolt is past the breech of the barrel.

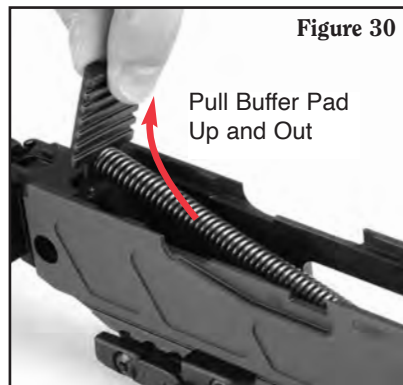
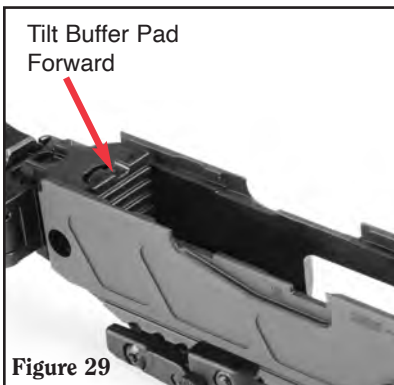
CAUTION: Hold the charging handle all the way to the rear to avoid pinching your fingers while removing the rear bolt. The bolt is under heavy spring tension while retracted.



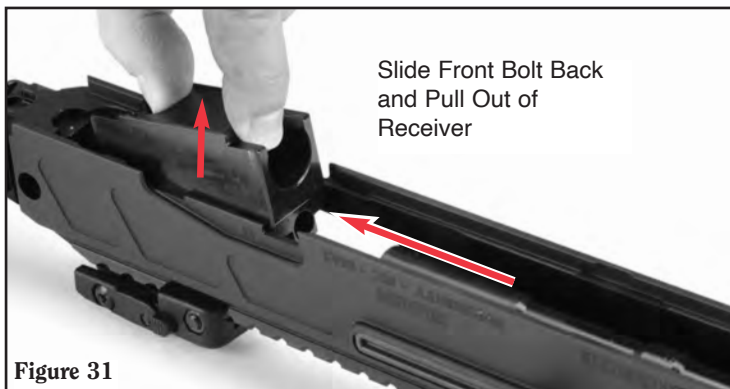
2. Slide the rear bolt straight out of the main receiver cavity.
3. Slowly, with the charging handle, allow the front bolt to slide forward.



4. Tilt the buffer pad forward to get your finger behind it. While putting pressure towards the front of the rifle, pull the buffer pad up out of the firearm. The recoil spring and guide rod assembly will come with it.

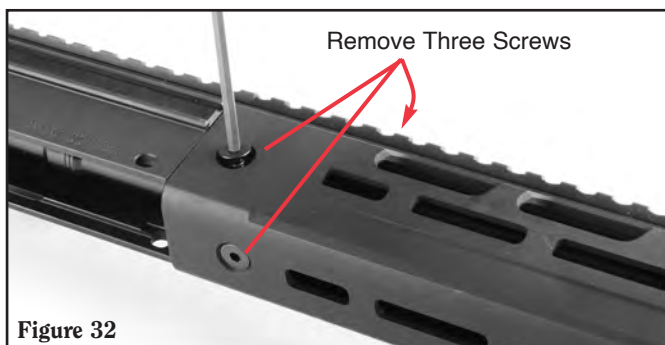


5. Slide the front bolt back past the breech of the barrel and pull it out of the receiver cavity.



Handguard Removal – (See Figures 32 - 33b):

1. Using a 1/8" hex wrench, remove the three screws (shooter's right, left and bottom) from the rear of the handguard.



2. Slide the handguard forward and off the front of the receiver. Be careful not to allow the handguard to contact, scratch, or otherwise damage the barrel.

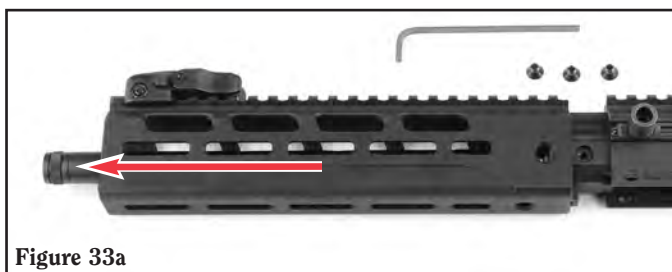




Figure 33b

Stock Disassembly From Rifle:

WARNING: Always remove the grip frame prior to removing or swapping butt stock assemblies. (See “Warning – National Firearms Act” p. 11)

1. Using a 9/64 inch hex wrench, loosen the hinge attachment bolt until the hinge clamp can slide over the edge of rear Picatinny rail section. (See Figure 34.)



Figure 34

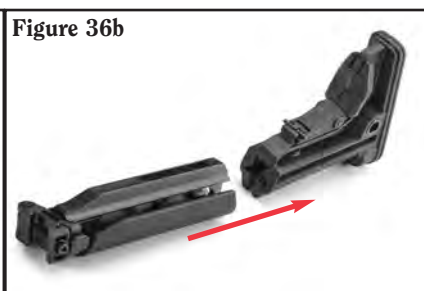
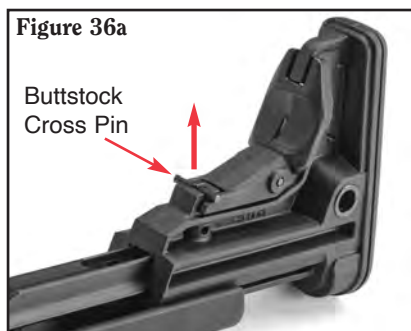
2. Remove the buttstock assembly from the receiver. (See Figure 35.)



Figure 35

Disassemble the Buttstock From the Receiver Extension:

1. Use the buttstock lever to fully extend it. With the buttstock positioned as shown in Figure 36a, firmly hold the receiver extension/buttstock in place. Grab the buttstock cross pin and pull up to disengage the buttstock detent pin from the receiver extension assembly (see Figure 36a). With the detent pin disengaged, slide the buttstock off the receiver extension. (See Figure 36b.)



Removing the Cheek Pad – (See Figure 37):

NOTE: The buttstock must be removed from the receiver extension to remove the cheek piece from the receiver extension.

1. Pull up on the tab on rear of the cheek pad and slide it rearward off the receiver extension.



Figure 37

NOTE: Unless otherwise described in this manual, disassembly for cleaning and lubrication is now complete. The firearm can now be cleaned and lubricated. There are no user serviceable parts below this level. If further disassembly is required, contact Ruger Customer Service.

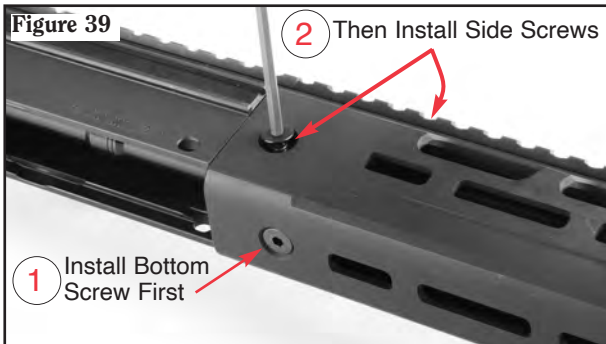
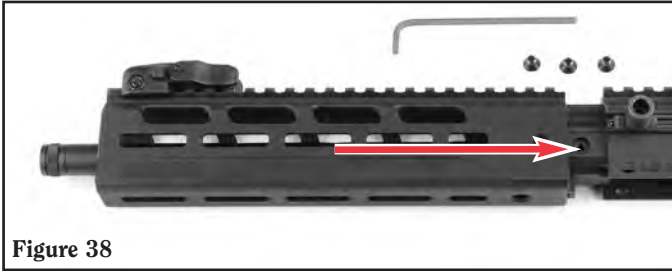
NOTE: Do not dry fire while disassembled in order to prevent damage to the ejector.

REASSEMBLY

Again, Be Sure Rifle is Unloaded!

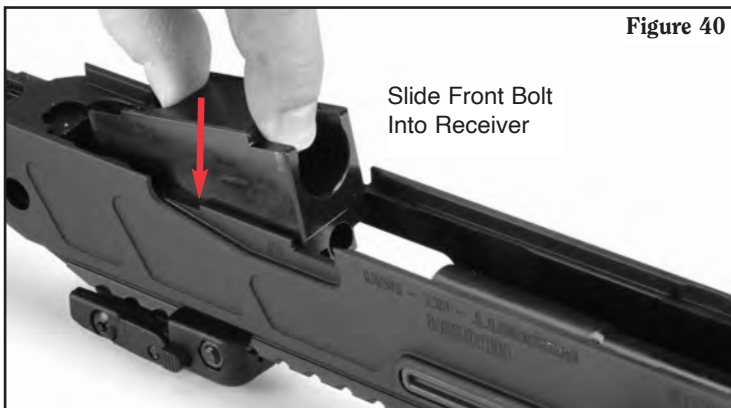
Handguard Reassembly – (See Figures 38 & 39):

1. Slide the handguard onto the front of the receiver.
2. Using a 1/8" hex wrench, install the bottom screw first. Next, install the screws on the shooter's right and left. Torque the screws to 40 in-lbs. **DO NOT EXCEED THE SPECIFIED TORQUE.** Doing so may seriously damage the receiver.

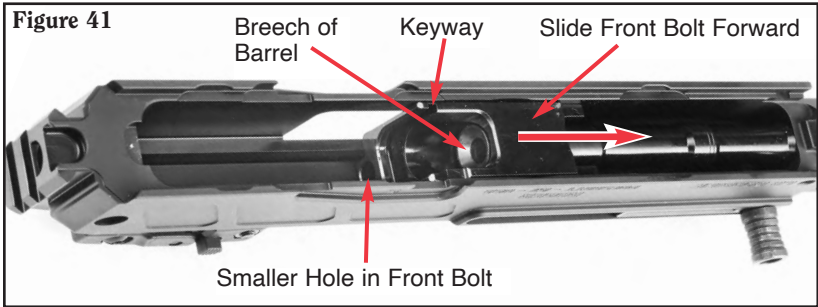


Bolt and Return Spring Assembly – (See Figures 40 - 46):

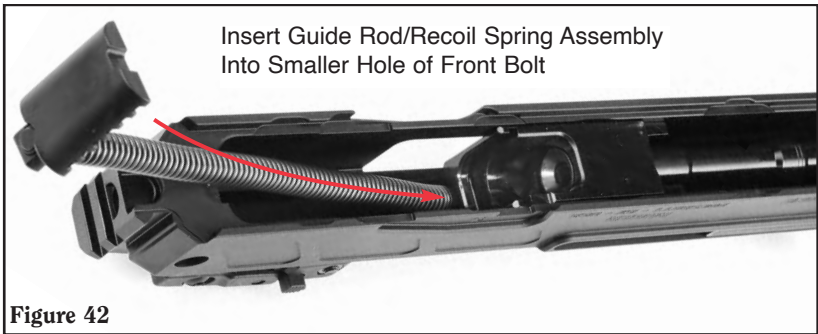
1. With the slot facing the rear of the receiver, slide the front bolt down into the rear receiver cavity.



- Slide the front bolt forward until the keyway is roughly lined up with the breech of the barrel.



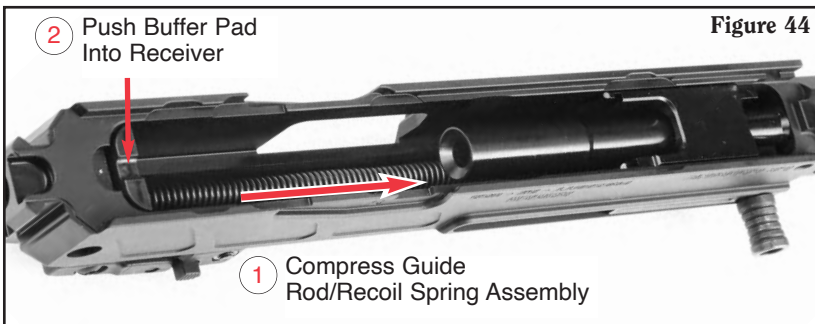
- Insert the rounded tip of the guide rod and recoil spring assembly into the smaller hole in the rear of the front bolt.



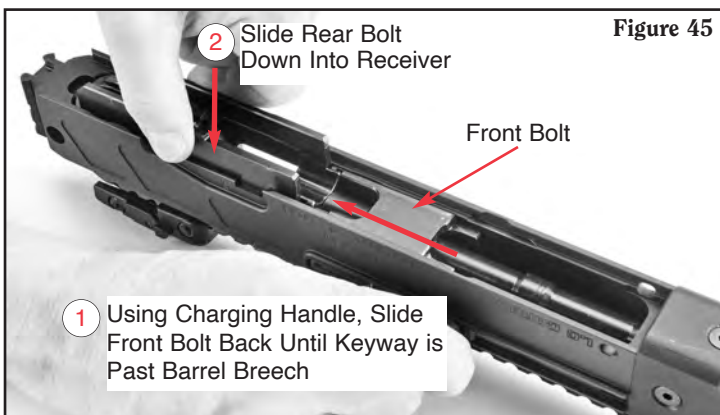
- Push the front bolt forward with the guide rod and recoil spring assembly.



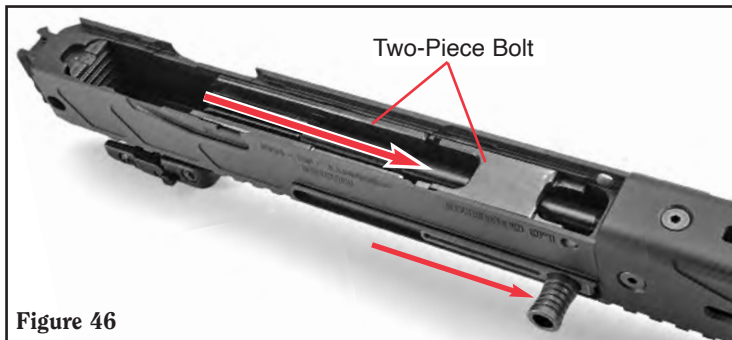
5. Compressing the guide rod/recoil spring assembly slightly, push on the buffer pad until it can be inserted down into the receiver.



6. Move the front bolt all the way rearward with the charging handle and hold it in this position.
7. Lining up the tab on the front of the rear bolt and the slot on the front bolt, slide the rear bolt down into the receiver cavity.



8. With the charging handle, slowly allow the two-piece bolt to be driven forward by the guide rod/recoil spring assembly.



Installing the Cheek Pad – (See Figure 47):

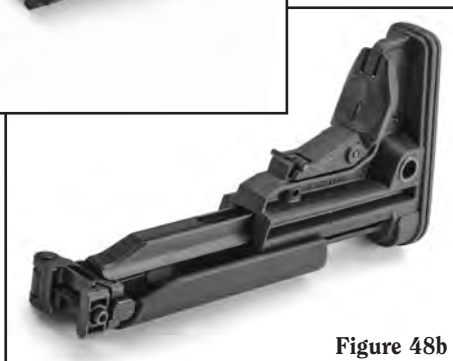
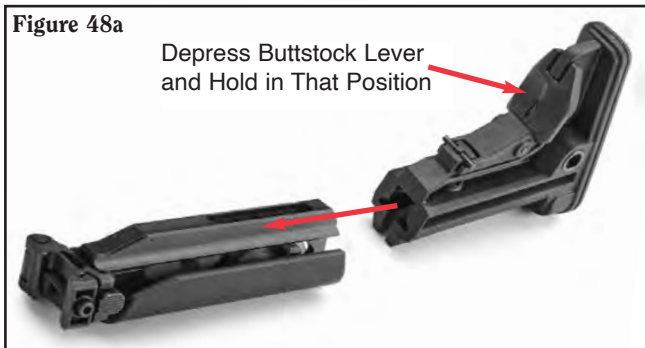
The buttstock must be removed from the receiver extension to install the cheek pad.

With the tab facing rearward, slide the cheek pad over the receiver extension until the tab clicks into the detent slot in the receiver extension.



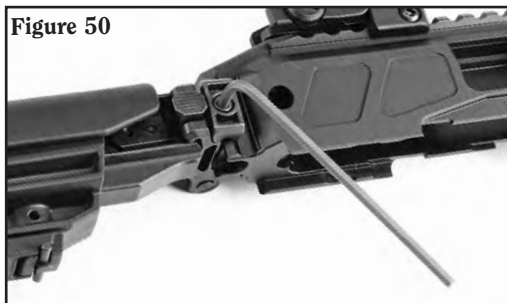
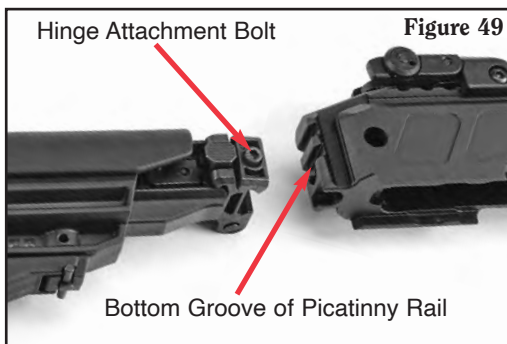
Reassembling the Buttstock to Receiver Extension – (See Figures 48a & 48b):

1. Depress the buttstock lever and keep it held in this position.
2. While holding the buttstock lever, slide the buttstock over the rear of the receiver extension and press **firmly** forward until it clicks into place.



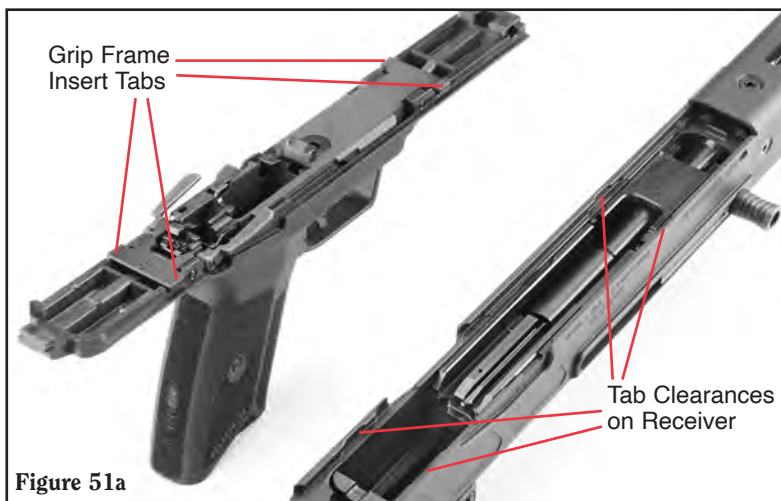
Buttstock Reassembly to Receiver – (See Figure 49 - 50):

1. Line up the hinge attachment bolt with the bottom groove across the rear Picatinny rail section on the receiver.
2. Slide both the hinge and the hinge clamp over the edges of the rail section.
3. Using a 9/64 inch hex wrench, tighten the hinge attachment bolt. Torque the bolt to 20-25 in-lbs.



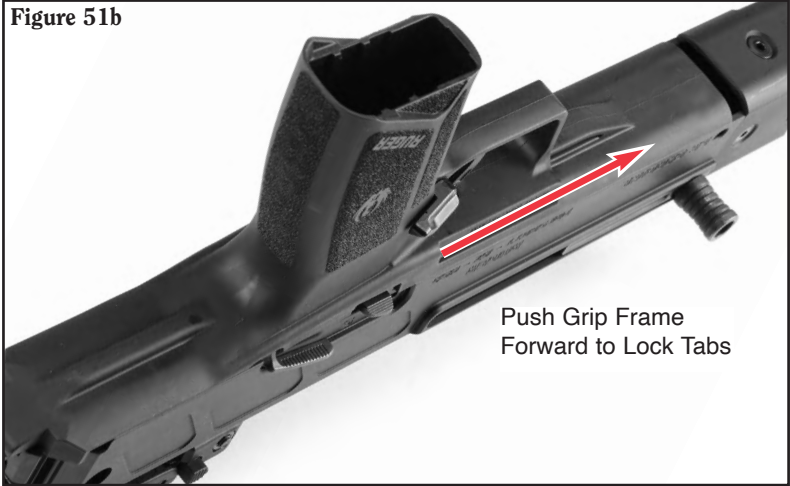
Grip Frame to Receiver Assembly – (See Figures 51a - 52b):

1. With the receiver and grip frame upside down, line up the four insert tabs of the grip frame with the tab clearances in the receiver.

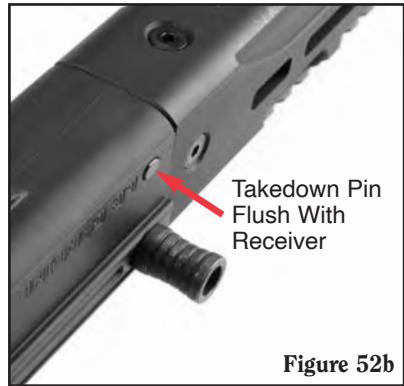
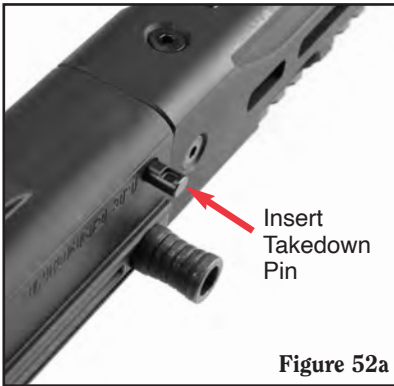


2. Push the grip frame forward to lock the tabs into the receiver slots until the back of the grip frame is aligned with the rear of the receiver.

Figure 51b



3. Insert the oval end of the takedown pin into the hole on either side of the receiver and push it through until both ends are flush with the receiver.



REVERSIBLE MAGAZINE RELEASE REPLACEMENT INSTRUCTIONS

Rifle Must Be Completely Unloaded Prior to Disassembly!

The magazine release lever on the **LC CARBINE™** is intended for right-handed operation and is not reversible. It can be replaced with the included reversible magazine release button for use on either side.

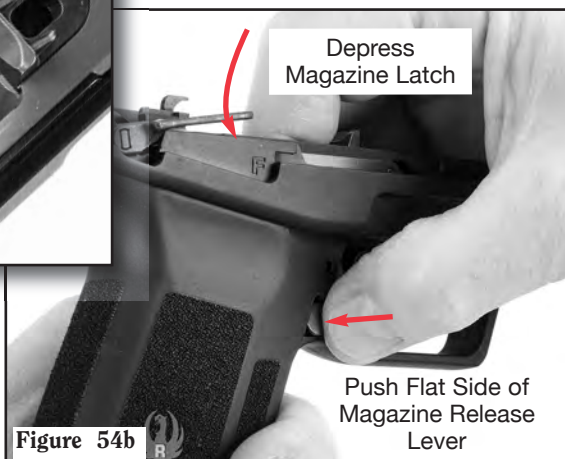
Remove the grip frame from the receiver (see “Disassembly” section, “Grip Frame Removal,” steps 1 - 3, pp. 31 - 32).

Remove Magazine Release Lever:

1. Rotate the magazine release lever as shown in Figure 53.



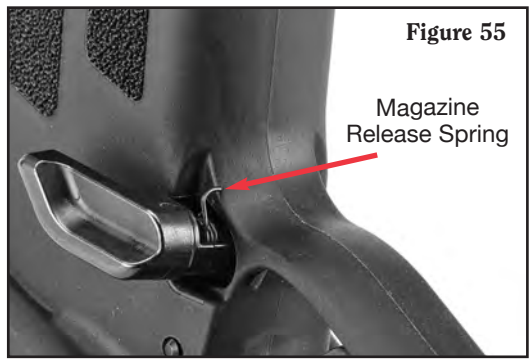
At the same time, push in on the flat side of the lever from the opposite side while also depressing the magazine latch from inside the grip frame (see Figures 54a & 54b).



2. As soon as you feel the flat side of the lever pop through the grip frame you will be able to pull the lever out.

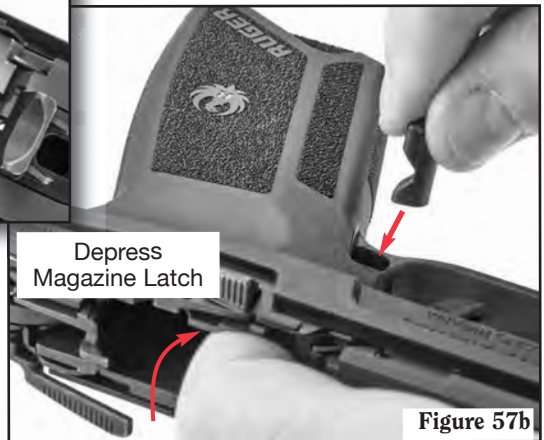
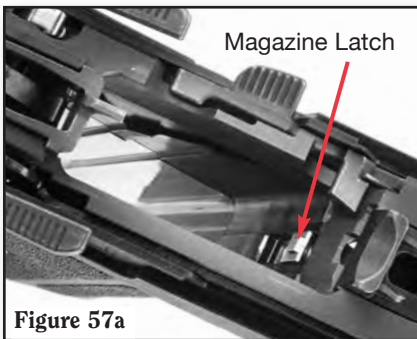
CAUTION: Be careful as you pull the magazine release lever out of the grip frame as the magazine release spring may drop out of the lever (see Figure 55). If the spring does drop out, reinsert it as shown in Figure 56.

NOTE: Store these parts in a safe place for future use.



Install Magazine Release Button:

1. The magazine release button may be inserted on the left or right side of the grip frame. Use finger pressure to pop it into place while depressing the magazine latch inside the magazine well. (See Figures 57a & 57b.)



Reinstall Grip Frame to Receiver Assembly:

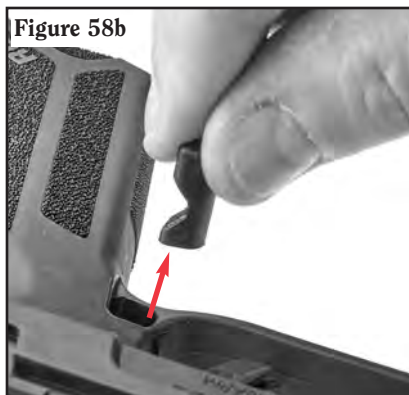
Refer to the "Reassembly" section, "Grip Frame to Receiver Assembly," steps 1 - 3, pages 41 - 42.

To Reinstall Original Magazine Release Lever:

NOTE: The original **LC CARBINE™** magazine release lever can be reinstalled into your firearm. However, the magazine release lever can only be installed on the left side of the grip frame.

Refer to the “Disassembly” section, “Grip Frame Removal,” steps 1 - 3, pp. 31 - 32.

1. Use a non-marring tool, such as a wooden dowel, to press on the flush non-protruding side of the magazine release button. The button will come free of the grip frame. (See Figures 58a & 58b.)

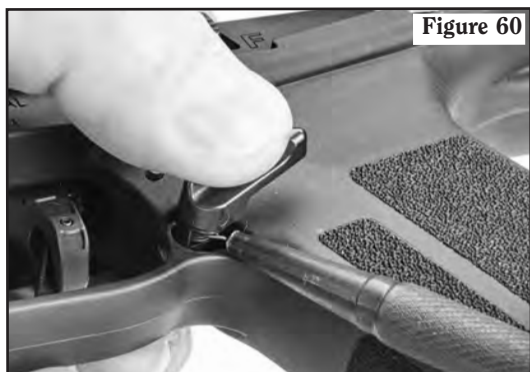


2. While depressing the magazine latch (see Figure 57a, p. 44), insert the magazine release lever into the left-side of the grip frame (see Figure 59) far enough so the magazine latch catches the notch in the lever.

CAUTION: Be sure the magazine release spring is positioned correctly in the magazine release latch before inserting it into the grip frame. (See Figure 56, p. 44.)



NOTE: Before pressing the magazine release lever all the way into the grip frame, depress the leg of the magazine release spring so it clears the grip frame as the lever is fully inserted. (See Figure 60.)



Check the function of the lever before reinstalling the grip frame to the receiver.

Reinstall Grip Frame to Receiver Assembly:

Refer to the “Reassembly” section, “Grip Frame to Receiver Assembly,” steps 1 - 3, pages 41 - 42.

REVERSIBLE FOLDING BUTTSTOCK

(On Models So Equipped)

Rifle Must Be Completely Unloaded Prior to Disassembly!

The buttstock on the **LC CARBINE™** can be switched so the stock folds to either the right or left side.

Stock Disassembly From Rifle:

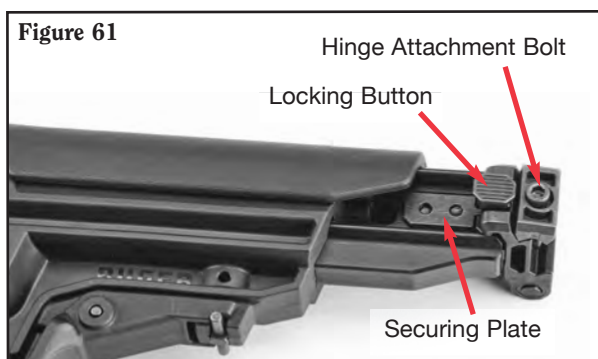
Refer to the “Disassembly” section, “Stock Disassembly From Rifle,” steps 1 - 2, p. 35.

WARNING: Always remove the grip frame prior to removing or swapping butt stock assemblies. (See “Warning – National Firearms Act” p. 11)

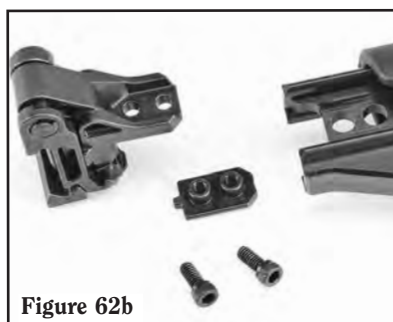
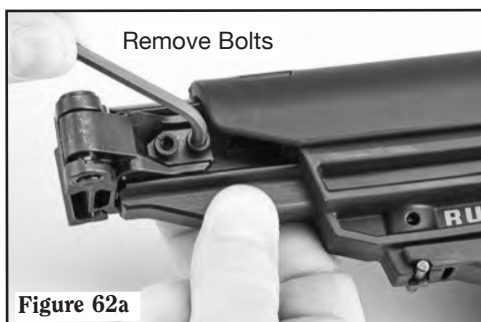
Remove Hinge From Buttstock:

CAUTION: Keep the hinge in the closed position at all times during removal and installation so the latch spring and locking button do not fall out.

1. Loosen the hinge attachment bolt but do not remove it (see Figure 61).



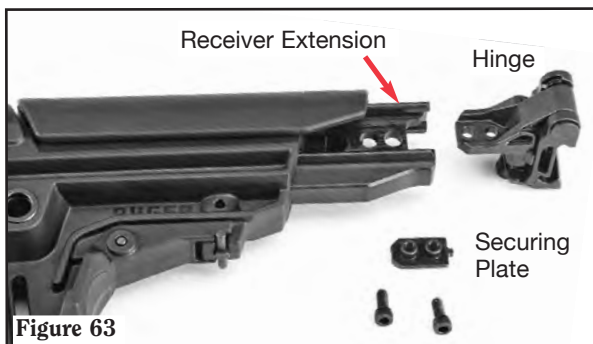
2. Flip the buttstock over. Hold the securing plate in place as you unscrew and remove the two bolts (see Figures 62a & 62b). The plate will fall free after the bolts are removed.



Reinstall Hinge To Buttstock:

NOTE: The stock will fold to whichever side the hinge is on once assembled.

1. Flip the buttstock over and align the hinge as shown in Figure 63.
2. Place the hinge on the receiver extension so the holes in the hinge align with the holes in the receiver extension. (See Figure 64.)
3. Install the securing plate through the holes from the opposite side. Be sure to orient the securing plate with the tab facing the hinge (see Figure 63).
4. Hold the securing plate in place as you reinstall the two bolts – torque to 45 in-lbs. (See Figure 65.)



Buttstock Reassembly to Receiver:

Refer to the “Reassembly” section, “Buttstock Reassembly to Receiver,” steps 1 - 3, page 41.

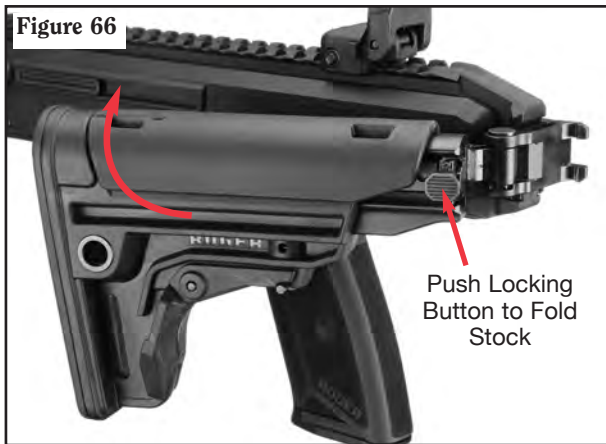
BUTTSTOCK ADJUSTMENT

(On Models So Equipped)

Some models of the **LC CARBINE™** have a factory-installed folding buttstock that is adjustable for length of pull.

To Fold the Stock:

1. Keep the muzzle pointed in a safe direction at all times and keep your fingers outside the trigger guard.
2. Move the safety lever fully upward to the “safe” position. The ambidextrous safety levers will point to the “S” on either side.
3. Always visually double check the chamber to be certain it is empty. At this point no magazine should be in the rifle.
4. Push the locking button and fold the stock fully to the left or right (see Figure 66).



To Unfold the Stock:

1. Keep the muzzle pointed in a safe direction at all times and keep your fingers outside the trigger guard.
2. Move the safety lever fully upward to the “safe” position. The ambidextrous safety levers will point to the “S” on either side.
3. Always visually double check the chamber to be certain it is empty. At this point no magazine should be in the rifle.
4. If the stock is folded to the left:

Pull upwards on the hinge portion attached to the receiver extension to compress the hinge spring and unlock the hinge. Unfold the stock until it snaps in place and locks.

If the stock is folded to the right:

Press downwards on the hinge portion attached to the receiver extension to compress the hinge spring and unlock the hinge. Unfold the stock until it snaps in place and locks.

To Adjust Length of Pull:

Length of pull can be adjusted by compressing the buttstock lever and sliding the stock into the desired length of pull locking position. (See Figure 67.) The stock can be adjusted into five operating positions, providing length of pull from 12.5" to 14.5".

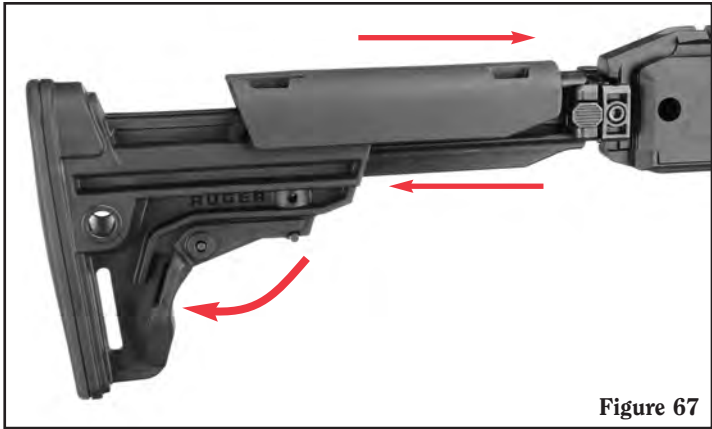


Figure 67

CHECK YOUR RIFLE'S FUNCTION

Periodic inspection of any firearm is important to ensuring its safe operation. It is important to clean and inspect your firearm after each range session or whenever the firearm has been exposed to sand, dust, moisture, humidity, or other adverse conditions. Proper maintenance increases the longevity of your firearm and will allow early detection of worn or broken parts.

Prior to each use, visually inspect the firearm to ensure no components are damaged, missing, loose, bent, cracked, chipped, or peened. If you observe excessive wear, you should stop using your rifle and contact customer service or a trained, certified gunsmith to evaluate its condition and replace any worn parts, if necessary.

After any disassembly and reassembly, it is important to verify that the action is working correctly before any live firing is attempted.

FIRST, BE SURE THERE IS NO AMMUNITION IN THE CHAMBER OR THE MAGAZINE AND KEEP THE RIFLE POINTED IN A SAFE DIRECTION!

- a. CHECK THE BOLT FUNCTION: With the magazine removed, pull the bolt fully to the rear and release it. The bolt should operate smoothly and travel freely within the receiver without binding. Repeat this process two more times.
- b. CHECK THE SAFETY FUNCTION:
 - First, using the charging handle, pull the bolt fully to the rear and release it. This should cock the internal hammer.
 - Next, engage the safety by pushing it into the “safe” position and attempt to pull the trigger. With the safety in this position, the trigger should not move fully rearward and the hammer should not fall.
 - Finally, move the safety to the “fire” position. Pull the trigger and listen for an audible “click” as an indication the hammer has fallen, striking the firing pin.
- c. CHECK THE BOLT RELEASE FUNCTION:
 - With the bolt closed, insert an empty magazine and ensure it locks into place.
 - Next, pull the charging handle fully rearward and ensure the bolt is automatically held to the rear by the bolt release.
 - Push the charging handle forward to its closed position and ensure it is held in place.
 - Press the magazine release and ensure the empty magazine drops free.
 - Finally, retract the charging handle to its extreme rearward position and release it. This will cause the bolt release to drop and the bolt to be released and move forward.

An on-line video demonstrating the disassembly, reassembly, and function check of the **RUGER® LC CARBINE™** can be viewed by going to **Ruger.com/TechTips**.

If any of the above function checks fail or if you are uncertain, please consult a competent gunsmith or contact Ruger Customer Service at 336-949-5200 for further firearm inspection before using the rifle.

TO CLEAN AND LUBRICATE

BEFORE CLEANING, BE CERTAIN THE RIFLE AND ITS MAGAZINE ARE UNLOADED.

At regular intervals, or whenever the firearm has been exposed to sand, dust, extreme humidity, condensation, immersion in water, or other adverse conditions, disassemble, clean, and oil it. Proper periodic maintenance is essential to the reliable functioning of any firearm.

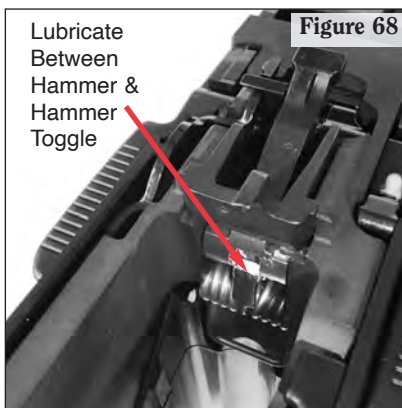
An on-line video demonstrating the proper cleaning procedure of the **LC CARBINE™** can be viewed by going to **Ruger.com/TechTips**.

WARNING: Always remove the grip frame prior to removing or swapping butt stock assemblies. (See “Warning – National Firearms Act” p. 11)

To clean the rifle, proceed as follows:

1. Disassemble (field-strip) the firearm to the extent described on pp. 31 - 36.
2. To clean the barrel, run a cleaning rod with a properly sized solvent-wetted patch through the bore several times. Then, attach a .22 caliber or .223 caliber copper brush to the cleaning rod and wet it with solvent. Run the brush forward through the full length of the barrel as many times as necessary to remove fouling from the bore. To clean the chamber, use a 7mm or .30 cal copper brush with solvent to scrub the chamber. After brushing, clean the bore with dry patches to remove the solvent and examine. Repeat until clean, then run a lightly oiled patch through the bore and chamber to lubricate. Finally, run one more dry patch through the bore and chamber to remove excess lubricants. Excess lubricants in the barrel and chamber attract and hold dust and can interfere with proper functioning.
3. Using plastic-safe firearms cleaning solvent and bristle brush, clean the bolt, receiver and fire control unit. After cleaning, wipe all surfaces clean with very lightly oiled cloth. Use of certain cleaning solvents, including those containing acetone, can damage the finish.
4. **Lubrication.** Apply a small amount of firearms lubricant to reduce friction on moving parts such as the bolt, recoil spring, and the area of contact between the hammer and hammer toggle (see Figure 68). Only a light application is needed to provide adequate lubrication of moving parts and to prevent rust. Excess accumulations of oil tend to attract particles of dust and dirt and may congeal in cold weather which can interfere with the safe and reliable functioning of the rifle.

IMPORTANT: The hammer toggle pocket must be lubricated in the area indicated (see Figure 68). A grease such as Mil-Comm TW25b is recommended. If the firearm is aggressively cleaned (such as an ultrasonic cleaner), then this grease must be replenished.



The front and rear bolt should each be lightly lubricated on their left and right sides. Use a high-quality gun oil with good long-term stability and lubricity, such as CLP.

Apply Lubricant to Both Sides of Front and Rear Bolts



Figure 69



WARNING – LUBRICATION



Firing a firearm with oil, grease, or any other material even partially obstructing the bore may result in damage to the firearm and serious injury or death to the shooter and those nearby. Do not spray or apply lubricants directly on ammunition. If the powder of a cartridge is affected by the lubricant, it may not be ignited, but the primer firing may push the bullet into the bore where it may be lodged. Firing a subsequent bullet into the obstructed bore may damage the rifle and cause serious injury or death to the shooter and those nearby. Use lubricants properly. You are responsible for the proper care and maintenance of your firearms.

**IMPROPER LUBRICATION
DESTROYS FIREARMS**

INSPECTION AND MAINTENANCE

Firearms are exposed to extreme heat and stress. The proper care of any firearm should always include periodic inspection for worn or broken parts to protect your investment and ensure a lifetime of safe shooting. A firearm with worn-out or broken parts may continue to function, however it will eventually fail or become unsafe to shoot. Clean and inspect your rifle after each range session and replace worn parts as needed.

Disassemble and clean your rifle in accordance with the instructions found in this instruction manual. Before lubricating, visually inspect the entire rifle for damaged or missing components. A scuffed or shiny appearance in high friction areas is normal. Cracks, burrs, and peening are indicators that parts need to be replaced to prevent further deterioration from occurring.

Common replacement parts may be purchased on ShopRuger.com. Additional GENUINE RUGER® FACTORY parts can also be ordered through Ruger Customer Service. After replacing any worn parts, lubricate, reassemble, and perform a function check as outlined in this instruction manual on the unloaded firearm to ensure it operates properly and verify that all safety devices are in proper working order.

If you have any questions or concerns about the safe operation of your firearm, contact Ruger Customer Service or your local trained and certified gunsmith.

SIGHT INSTALLATION and ADJUSTMENT

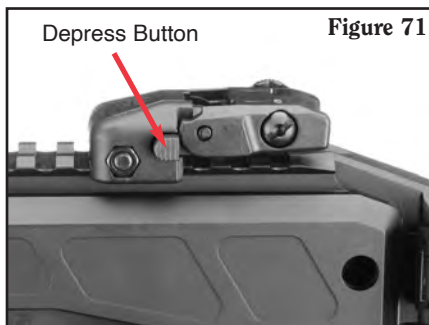
Installation for Models Which Include Ruger Rapid Deploy Sights:

1. Remove the magazine and ensure the chamber is empty.
2. Unscrew the clamp assembly and slide the sight bases on to the top rail of the receiver so as to allow the front sight screw to rest in the front most cross-slot and the rear sight screw to rest in a rear cross-slot. Sights should be oriented to fold to the rear (see Figure 70).
3. Apply one drop of non-permanent thread locking compound to the exposed threads. Replace the clamp and tighten (see Figure 70).



Operation:

1. To raise the sights, depress the button located on the left side of the base and the sight will pop-up into position. (See Figure 71).
2. The sight will automatically fold down as pressure is applied.

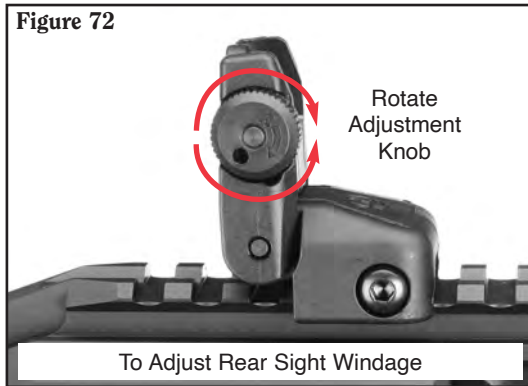


Zeroing Procedures:

1. Fire a group and measure from the point of aim to the point of impact.
2. Adjust the rear sight for windage only.
3. Elevation adjustment is made with the front sight post.
4. Confirm zero with a group of aimed shots and adjust as necessary.
5. Replacement rear sights of the same height can be used without a change of impact.

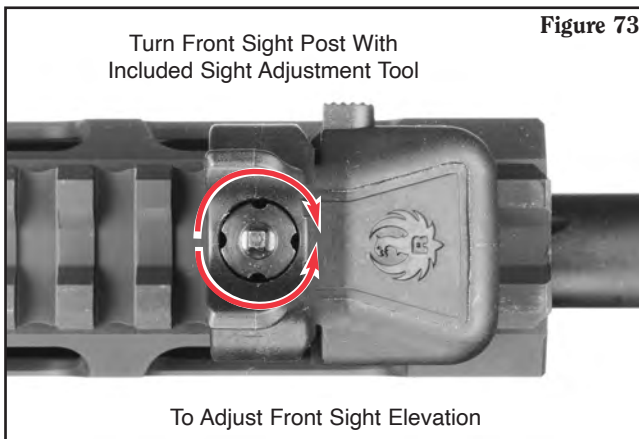
Adjustment – See Figures 72 & 73:

1. To move the bullet impact right – turn the rear sight adjustment wheel to the right/clockwise.
2. To move the bullet impact left – turn the rear sight adjustment wheel to the left/counterclockwise.
3. To move the bullet impact up – using the sight adjustment tool, turn the front post to the right/clockwise.
4. To move the bullet impact down – using the sight adjustment tool, turn the front post to the left/counterclockwise.



One click of the windage adjustment knob should move the strike of the round approximately 1/4" at 50 yards (see Figure 72).

One quarter turn of the front sight, using the sight adjustment tool, should move the strike of the round approximately 3/4" at 50 yards (see Figure 73).



THREADED BARREL (ON MODELS SO EQUIPPED)

Thread Protector and Muzzle Devices

Ensure that all muzzle devices installed on the **LC CARBINE™** are intended for use on firearms chambered in the caliber marked on the receiver. Failure to do so may result in injury and damage to your rifle or device.

NOTE: Some **RUGER® LC CARBINES™** are equipped with a non-threaded barrel for consumers in those states which have feature-based restrictions.

Threaded barrel **LC CARBINES™** chambered in 5.7x28mm come equipped with a ½"-28 threaded muzzle and corresponding thread protector.

The thread protector is retained in position by a factory-installed O-Ring when manually tightened (see Figure 74). If the factory-provided thread protector is replaced with a different muzzle device, the O-Ring must be removed. Removing the O-Ring ensures that muzzle devices tighten directly against the barrel shoulder, concentrically to the bore.

CAUTION: Suppressors may increase backpressure through the ejection port when firing. It is important that you **ALWAYS** wear eye protection when shooting.

CAUTION: "Hearing safe" for a single shot may still be damaging over longer durations of noise exposure. Most 5.7x28mm ammunition is supersonic. It also produces a high volume of gas. Suppressors that were specifically designed for other calibers may be less effective when used with 5.7x28mm ammunition. Hearing protection should always be worn.

WARNING: Periodically check tightness of muzzle devices when firing to prevent damage. Never install, uninstall, tighten, or adjust muzzle devices on a loaded firearm. Always unload completely and keep the muzzle pointed in a safe direction before working on any firearm. Use leather gloves to tighten a hot suppressor or allow it to cool.

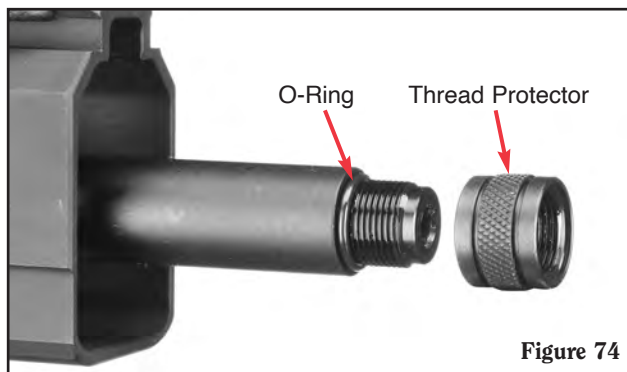


Figure 74

Suppressors may cause a shift in the point of impact requiring adjustment of the sights. Reliability will vary depending on the combination of ammunition and suppressor used. Regardless, all suppressed firearms will get dirtier faster and require more frequent cleaning. Increased chamber fouling may cause failures to extract with increasing frequency. If you experience excessive failures to extract, follow the instructions for cleaning, paying particular attention to the chamber.

WARNING: NEVER use “rimfire” suppressors rated for .22LR, .22WMR, and .17HMR unless they are specifically rated by the manufacturer to handle 5.7x28mm caliber ammunition as the suppressor may be damaged or destroyed, potentially causing injury. Keep in mind, even the most robust rimfire suppressors are not designed to handle the gas volume produced by 5.7x28mm caliber ammunition. This results in a louder pop and high backpressure that blows the products of combustion rearwards into the chamber. This will rapidly foul the chamber resulting in frequent malfunctions. Better function and suppression may be achieved using high volume rifle-rated suppressors for 5.56 NATO / .223 Remington caliber. Some .30 caliber rifle suppressors or 9mm direct thread carbine suppressors may also be used but may have diminished sound suppression. In all cases, suppressor use will lead to increased fouling and require more frequent cleaning to help prevent malfunctions.

Always check with the suppressor manufacturer first to ensure your suppressor is compatible with 5.7x28mm caliber ammunition prior to using it on the



LC CARBINE™

STORAGE

FIREARMS SHOULD NOT BE STORED LOADED!

**USE THE LOCKING DEVICE SUPPLIED WITH THE FIREARM TO
RENDER IT INOPERATIVE FOR SAFE STORAGE.
(SEE PAGE 8)**

Do not store the firearm in a leather case or scabbard. Leather attracts moisture, even though it may appear to be dry.

 WARNING – STORAGE	
	<ul style="list-style-type: none">• Never place or store any firearm in such a manner that it may be dislodged. Firearms should always be stored securely and unloaded, away from children and careless adults.• Use the locking device supplied with the firearm for storage. The use of a locking device or safety lock is only one aspect of responsible firearms storage.• For increased safety, firearms should be stored unloaded in a location that is both separate from their ammunition and inaccessible to children and any other unauthorized person.
STORE SECURELY & UNLOADED	

SERVICE AND PARTS POLICY

If you have any question regarding the performance of your **RUGER® LC CARBINE™** please contact our Customer Service online at **Ruger.com** or call the Customer Service Dept. at 336-949-5200. Fully describe all circumstances and conditions involved. If you should need to return your rifle to the factory for repair, or order parts for it, please comply with the following suggestions for prompt service:



WARNING: BEFORE SHIPPING ANY FIREARM, BE ABSOLUTELY CERTAIN THAT IT IS UNLOADED. DO NOT SHIP CARTRIDGES WITH A FIREARM.

SHIPPING FIREARMS FOR REPAIR

NOTE: You must obtain a **Repair Authorization Number** before returning your firearm. An authorization number can be obtained by contacting Customer Service online at **Ruger.com** or calling the Customer Service Department at 336-949-5200. Firearms should be sent prepaid. We will not accept collect shipments. Any **RUGER® LC CARBINE™** returned to the factory for repair should be sent to: Sturm, Ruger & Company, Inc., Customer Service Department, 200 Ruger Road, Prescott, AZ 86301.


The Federal Gun Control Act, as well as the laws of most states and localities, do not prohibit an individual (who is not otherwise barred from purchasing or possessing a firearm) from shipping a firearm directly to the manufacturer for repair. However, before you ship your firearm to us, be certain that your state or locality does not have a law or regulation which will prohibit you from receiving the firearm (or any included magazines) from us after repair. If such receipt is prohibited, please have a federally licensed firearms dealer ship the firearm to us. If your firearm is sent to us by a dealer, it will be returned to that dealer after being repaired. If a handgun (pistol or revolver) is shipped by an individual who does not hold a Federal Firearms License, it must be shipped for overnight delivery via U.P.S., Federal Express or other, similar private overnight service.

NOTE: Persons who do not hold a Federal Firearms License are prohibited by Federal law from shipping a handgun by U.S. Mail. Handguns mailed in violation of the law may be impounded or confiscated by the Post Office and the non-FFL may be subject to prosecution. Rifles and shotguns may be shipped via U.S. Mail.

Please do not include rifle cases, slings, telescopic sights, or custom accessories with a firearm being shipped to the factory for service. **DO NOT SEND FIREARM BOXES OR LITERATURE THAT YOU CONSIDER TO BE COLLECTOR'S ITEMS – THESE ARE INVARIABLY DAMAGED OR DESTROYED IN SHIPMENT.** Always insure your shipment.

Enclose a letter which includes your name, address, telephone number, firearm serial number and model, and repair authorization number. Describe in detail the trouble you have experienced with your firearm, or the work you wish to have done. Merely stating that the firearm “needs repair” is inadequate information. Please enclose copies of any previous correspondence.

All work performed is subject to a minimum labor charge and charges for shipping and handling. Most models can be reblued, but custom gunsmithing service or nonstandard alterations are NOT AVAILABLE from Ruger Customer Service Departments. Please contact the Customer Service Department for pricing information.

 WARNING – PARTS PURCHASERS	
	<ul style="list-style-type: none">• It is the purchaser's responsibility to be absolutely certain that any parts ordered from the factory are correctly fitted and installed.• Firearms are complicated mechanisms and IMPROPER FITTING OF PARTS MAY RESULT IN A DANGEROUS MALFUNCTION, DAMAGE TO THE FIREARM, AND SERIOUS INJURY TO THE SHOOTER AND OTHER PERSONS.• The purchaser and installer of parts must accept full responsibility for the correct adjustment and functioning of the firearm after such installation.
PARTS MUST FIT CORRECTLY	


ORDERING PARTS

Please contact the Arizona Customer Service Department for parts availability and current prices. All parts orders for the **RUGER® LC CARBINE™** should be sent to: Sturm, Ruger & Co., Inc., Customer Service Department, 200 Ruger Road, Prescott, AZ 86301, 336-949-5200.

We cannot comply with open account or C.O.D. orders. Payment in full via credit card (Visa or MasterCard only), money order or certified bank check (no personal checks or cash, please) is required before any service will be performed. Please provide your credit card number, your name as it appears on the credit card, the expiration date, and the 3-digit security code. All parts orders are subject to a minimum charge and charges for shipping and handling. Order parts by **Part Name and specify the model and entire serial number** of the firearm for which the parts are being ordered. There is a minimum labor charge plus a shipping and handling charge if the parts are factory fit. All factory fit parts are fit on an exchange basis only. We will not return the replaced parts. Please contact the Customer Service Department for pricing information.

Because the receiver is a serial numbered component, it is defined as a “firearm” by Federal law and is not sold as a separate component.

*Parts designated by an asterisk must be factory fit. These parts are fit on an exchange basis only. We will not return the replaced parts. We will not return any part that is broken, malfunctioning, badly worn or has been modified. See “Warning – Parts Purchasers” above.

	WARNING: A firearm containing broken, malfunctioning, or badly worn parts should not be fired.
-------------------------------------------------------------------------------------	-------------------------------------------------------------------------------------------------------

RUGER® LC CARBINE™

PARTS LIST

Design, prices and specifications subject to change without notice.

SPECIFY MODEL, CALIBER AND SERIAL NO. WHEN ORDERING

(See Exploded View p. 64 & Supplemental Exploded Views pp. 65 - 69)

Key	Part Name
† 1	Receiver Assembly – Complete Includes Key Nos. 2 - 10 (See Exploded View p. 65)
† 2	Receiver
3	Charging Detent Stop
4	Charging Slide Plate
5	Charging Handle Bolt
6	Charging Handle
7	Cover Plate
8	Safety Detent Plunger
9	Safety Spring
10	Pin
11	Barrel Assembly – Complete Includes Key Nos. 12 - 14 (See Exploded View p. 65)
12	Barrel
13	O-Ring
14	Thread Protector
15	Bolt Assembly – Complete Includes Key Nos. 16 - 23 (See Exploded View p. 66)
16	Extractor Pivot Pin
17	Firing Pin
18	Firing Pin Spring
19	Firing Pin Retention Pin
20	Bolt, Front
21	Bolt, Rear
22	Extractor Spring
23	Extractor
24	Buffer Assembly – Complete Includes Key Nos. 25 - 29 (See Exploded View p. 66)
25	Buffer
26	Recoil Spring Retainer
27	Recoil Spring
28	Guide Rod
29	Guide Rod Bushing
30	Receiver Extension Assembly – Complete Includes Key Nos. 31 - 42 (See Exploded View p. 67)
31	Folding Stock Hinge Mount
32	Folding Stock Hinge Back
33	Hinge Clamp
34	Folding Stock Locking Button

† The receiver is a serial-numbered part and is not separately offered for sale.

* Parts so marked must be factory fit.

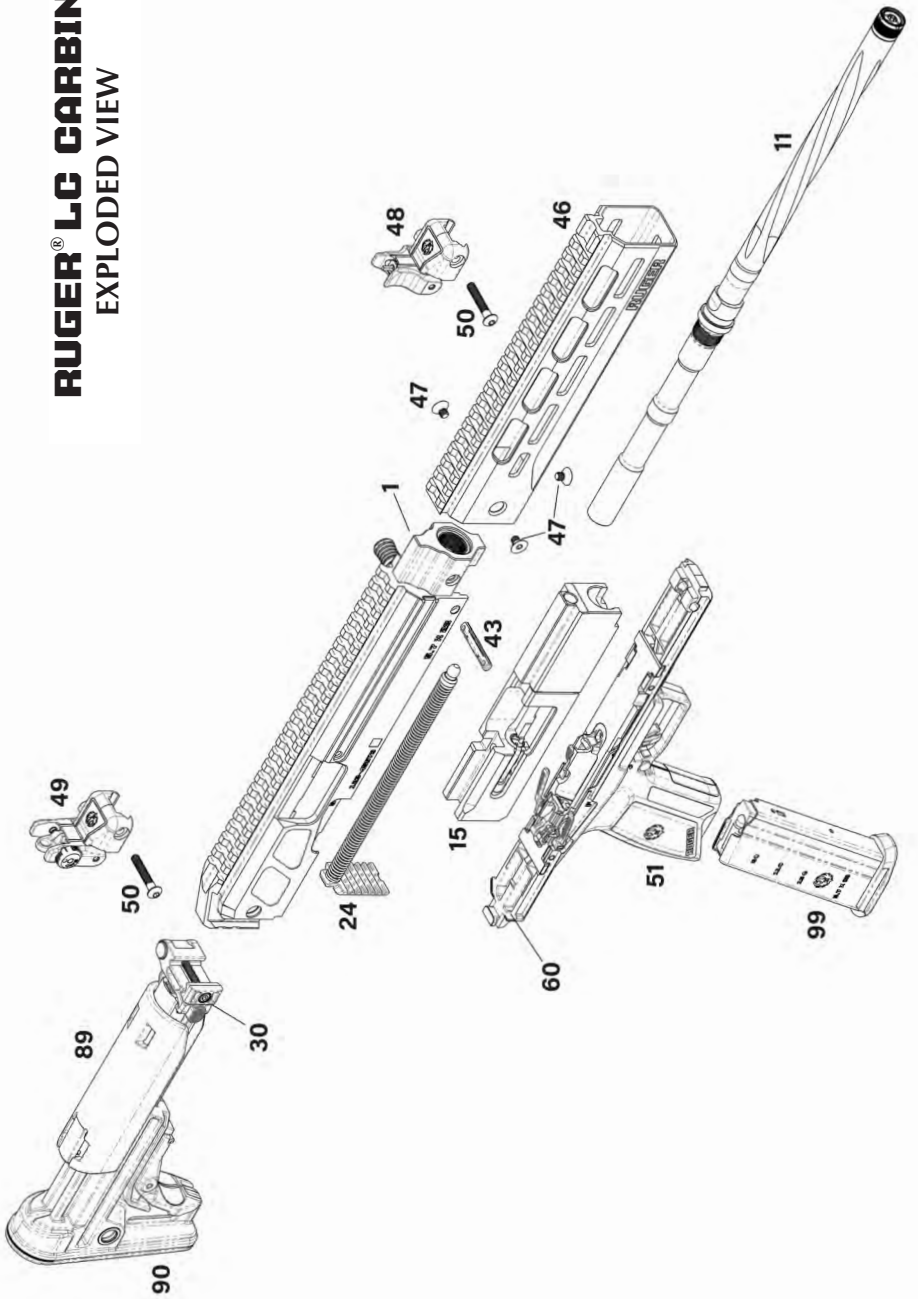
Key	Part Name
35	Hinge Pin
36	Hinge Attachment Bolt
37	Folding Stock Securing Plate
38	Hinge Spring
39	Latch Spring
40	Receiver Extension Attachment Bolt, 2 Req'd
41	Hinge E-Clip
42	Receiver Extension
43	Takedown Pin Assembly – Complete
	Includes Key Nos. 44 - 45 (See Exploded View p. 67)
44	Takedown Pin
45	Takedown Pin Wire
46	Handguard
47	Handguard Screws, 3 Req'd
48	Front Sight
49	Rear Sight
50	Sight Screw, 2 Req'd
51	Grip Frame Assembly – Complete
	Includes Key Nos. 52 - 59 (See Exploded View p. 68)
52	Grip Frame
53	Magazine Latch
54	Magazine Latch Spring
55	Magazine Latch Pivot Pin
56	Insert Assembly
57	Grip Frame Pin
58	Magazine Release Lever
59	Magazine Release Spring
* 60	Insert Assembly – Complete
	Includes Key Nos. 61 - 88 (See Exploded View p. 69)
* 61	Hammer
* 62	Sear
* 63	Trigger, Outer
* 64	Trigger, Inner
* 65	Inner Trigger Spring
* 66	Inner Trigger Pivot Pin
* 67	Hammer Toggle
* 68	Hammer Spring
* 69	Trigger Bar
* 70	Sear Spring
* 71	Hammer Pin
* 72	Hammer Spring Pin
* 73	Safety Rocker
* 74	Bolt Release
* 75	LRHO Spring
* 76	Trigger Pivot

* Parts so marked must be factory fit.

Key	Part Name
* 77	Trigger Spring
* 78	Ejector
* 79	Ejector/Feed Ramp Retention Pin, 2 Req'd
* 80	Insert
* 81	Feed Ramp Insert
* 82	Left Safety
* 83	Safety Pivot Pin
* 84	Safety Detent
* 85	Right Safety
* 86	Safety Retaining Pin, 2 Req'd
* 87	Safety Spring
* 88	Trigger Pivot Pin
89	Cheek Pad
90	Buttstock Assembly – Complete Includes Key Nos. 91 - 98 (See Exploded View p. 69)
91	Buttstock
92	Buttpad
93	Buttstock Lever
94	Buttstock Detent Pin
95	Buttstock Detent Spring
96	Buttstock Cross Pin
97	Buttpad Screw, 2 Req'd
98	Buttstock Lever Pin
99	Magazine

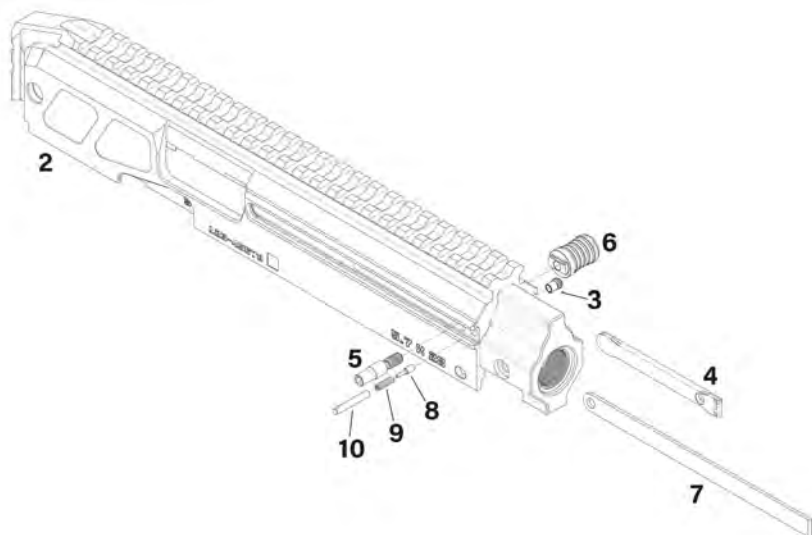
* Parts so marked must be factory fit.

RUGER® LC CARBINE™
EXPLODED VIEW



RUGER® LC CARBINE™

RECEIVER ASSEMBLY



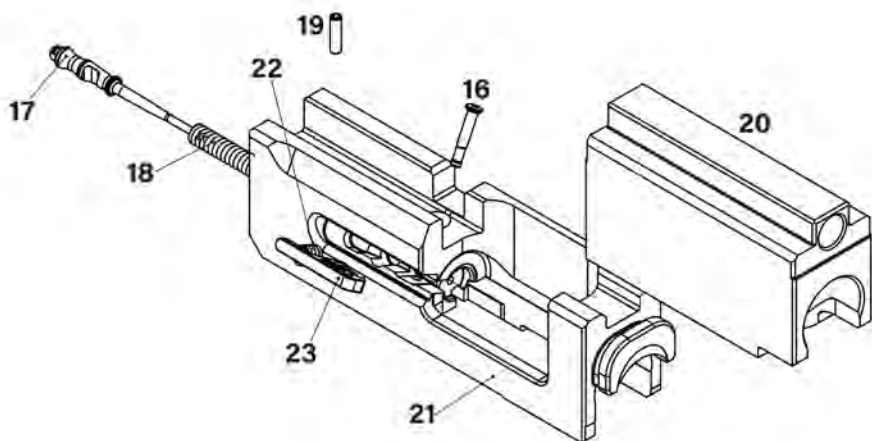
RUGER® LC CARBINE™

BARREL ASSEMBLY



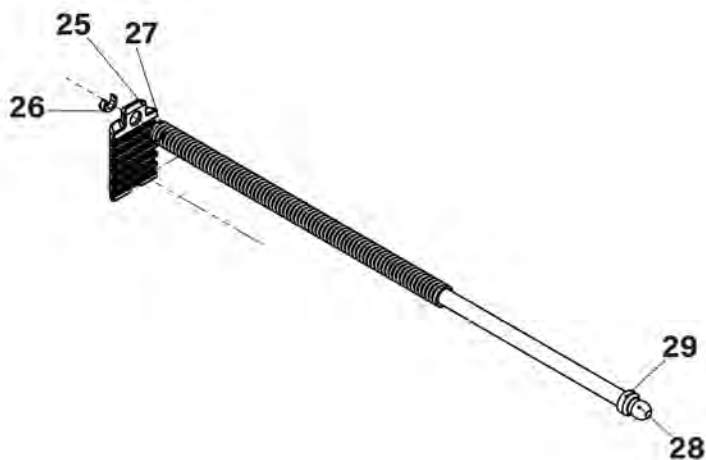
RUGER® LC CARBINE™

BOLT ASSEMBLY

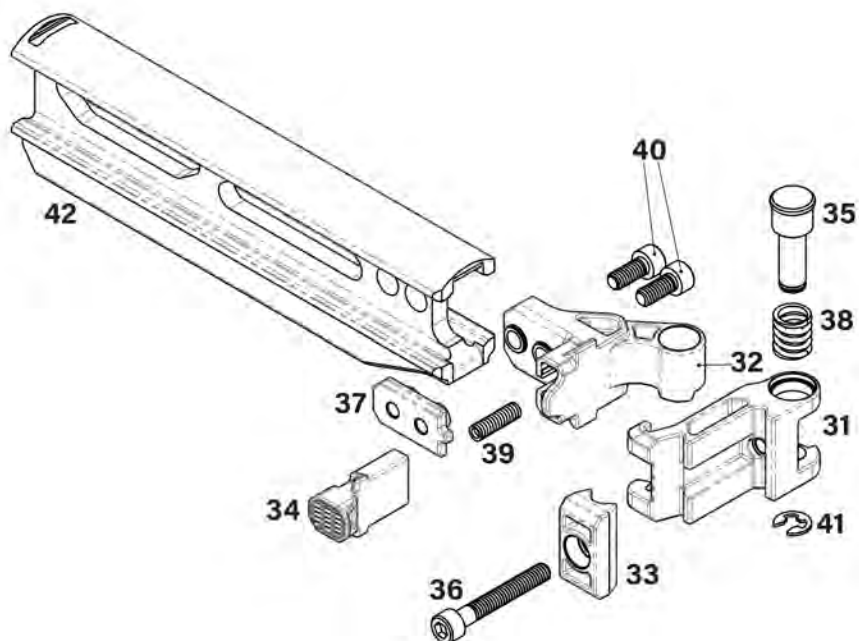


RUGER® LC CARBINE™

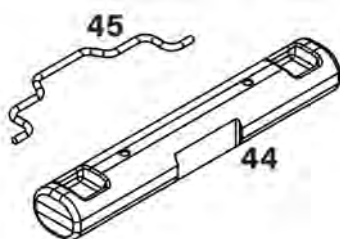
BUFFER ASSEMBLY



RUGER® LC CARBINE™
RECEIVER EXTENSION ASSEMBLY

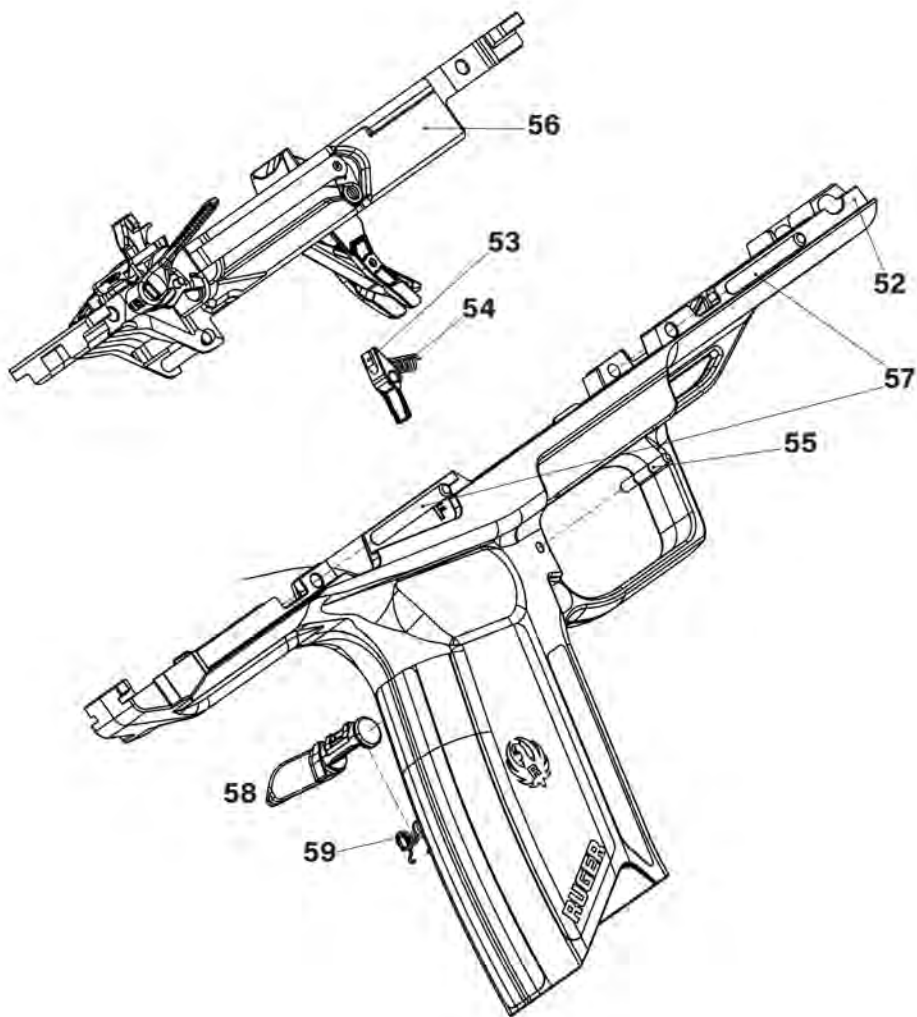


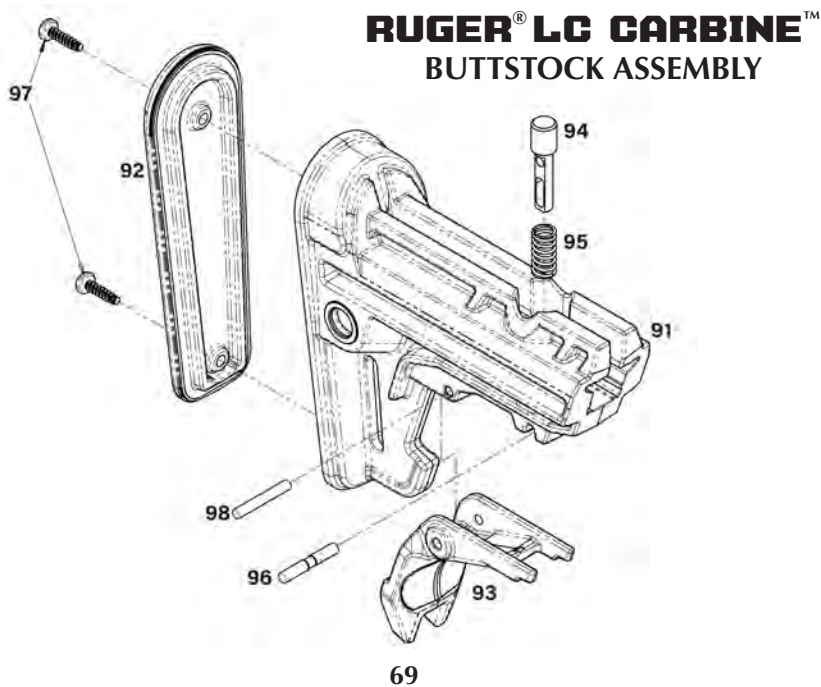
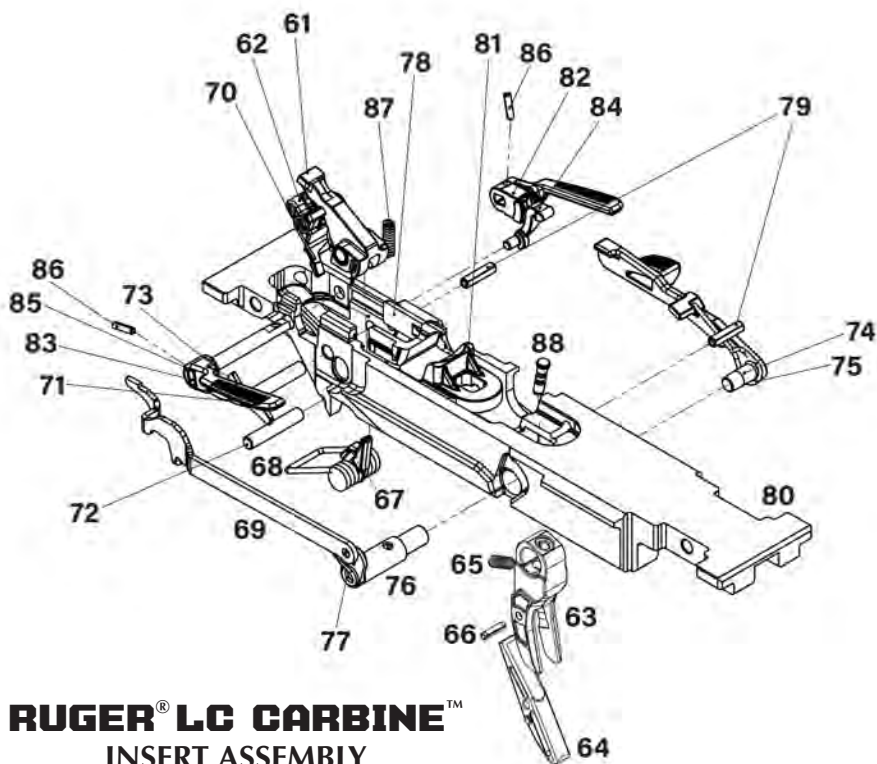
RUGER® LC CARBINE™
TAKEDOWN PIN ASSEMBLY



RUGER® LC CARBINE™

GRIP FRAME ASSEMBLY





THE BASIC RULES OF SAFE FIREARMS HANDLING

We believe that Americans have a right to purchase and use firearms for lawful purposes. The private ownership of firearms in America is traditional, but that ownership imposes the responsibility on the gun owner to use his firearms in a way which will ensure his own safety and that of others. When firearms are used in a safe and responsible manner, they are a great source of pleasure and satisfaction, and represent a fundamental part of our personal liberty.

Firearms do not cause accidents! Firearms accidents are almost always found to have been the result of carelessness or ignorance on the part of the shooter of the basic rules of safe gun handling.

The following rules must be observed by gun users at all times. Safe gun handling is not just desirable, it is absolutely essential to your safety, the safety of others, and the continuation of gun ownership and sport shooting as we know it today.

1. LEARN THE MECHANICAL AND HANDLING CHARACTERISTICS OF THE FIREARM YOU ARE USING.

Not all firearms are the same. The method of carrying and handling firearms



varies in accordance with the mechanical provisions for avoiding accidental discharge and the various proper procedures for loading and unloading. No person should handle any firearm without first having thoroughly familiarized himself with the particular type of firearm he is using, and with safe gun handling in general.

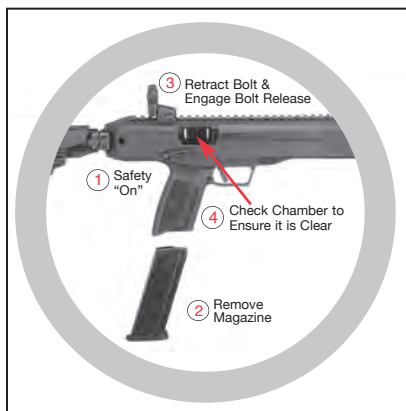
2. ALWAYS KEEP THE MUZZLE POINTED IN A SAFE DIRECTION.



Be sure of the bullet stop behind your target, even when dry-firing. Never let the muzzle of a firearm point at any part of your body or at another person. This is particularly important when loading or unloading a firearm. In the event of an accidental discharge, no injury can occur as long as the muzzle is pointing in a safe direction. A safe direction means a direction that will not permit a discharged bullet to strike a person, or to strike an object from which the bullet may ricochet.

A safe direction must take into account the fact that a bullet may penetrate a wall, ceiling, floor, window, etc., and strike a person or damage property. Make it a habit to know exactly where the muzzle of your gun is pointing whenever you handle it, and be sure that you are always in control of the direction in which the muzzle is pointing, even if you fall or stumble. Keep your finger off the trigger until you are ready to shoot.

3. FIREARMS SHOULD BE UNLOADED WHEN NOT IN USE.

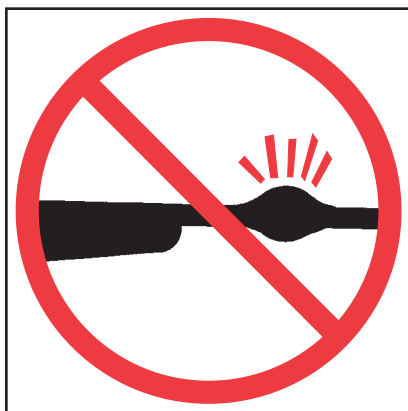


Firearms should be loaded only when you are in the field or on the target range or shooting area, ready to shoot. Firearms and ammunition should be securely locked in safes, racks or cabinets, or by using the locking device supplied with the firearm, when not in use. Ammunition should safely be stored separate from firearms. Store your firearms out of sight of visitors and children. It is the gun owner's responsibility to be certain that children and

persons unfamiliar with firearms cannot gain access to firearms, ammunition, or components.

4. BE SURE THE BARREL IS CLEAR OF OBSTRUCTIONS BEFORE SHOOTING.

Even a bit of mud, snow or excess lubricating oil or grease in the bore may cause the barrel to bulge, or even burst on firing, and can cause serious injury to the shooter and bystanders. Be sure that you are using ammunition of the proper caliber and loading for the gun you are using. If the report or recoil on firing seems weak, or doesn't seem quite right, **CEASE FIRING IMMEDIATELY**, unload your firearm, and check to be sure that no obstruction has become lodged in the barrel. Never try to shoot out an obstruction!





5. BE SURE OF YOUR TARGET BEFORE YOU SHOOT.

Don't shoot unless you know exactly where your bullet is going to strike. Be sure of the bullet stop behind your target, even when dry-firing with an unloaded gun. If you are in the field hunting, do not fire at a movement or noise. Take the time to be absolutely certain of your target before you pull the trigger.

6. WEAR SHOOTING GLASSES AND HEARING PROTECTION WHEN YOU SHOOT.

All shooters should wear protective shooting glasses and adequate hearing protection when shooting. Exposure to shooting noise can damage hearing, and wearing adequate eye protection when shooting is essential.



7. NEVER CLIMB A TREE OR FENCE WITH A LOADED FIREARM.

Put the firearm down carefully before climbing a fence, and unload it before climbing or descending a tree or jumping over a ditch or other obstruction. Never pull or push a loaded firearm toward yourself or another person. When in doubt, or whenever you are about to do anything awkward, unload your gun!

8. DON'T SHOOT AT A HARD SURFACE OR AT WATER.

Bullets can glance off many surfaces like rocks or the surface of water and travel in unpredictable directions with considerable velocity.



9. NEVER TRANSPORT A LOADED FIREARM.

Firearms should always be unloaded before being placed in a vehicle. A suitable carrying case or scabbard should be used to carry an unloaded firearm to and from the shooting area.

10. AVOID ALCOHOLIC BEVERAGES WHEN SHOOTING.

Don't drink until the day's shooting is over. Handling firearms while under the influence of alcohol in any form, or medications that could affect your judgment or coordination, constitutes a criminal disregard for the safety of others.



A BRIEF ACCOUNT OF AN EXTRAORDINARY ACHIEVEMENT: RUGER® FIREARMS

Sturm, Ruger & Company, Inc., had its beginning in a small machine shop occupying a rented frame building in Southport, Connecticut. In January, 1949, with an initial investment of only \$50,000 and an idea, William B. Ruger and Alexander M. Sturm started production of a .22 caliber autoloading pistol—a design which was so successful that it became the cornerstone upon which one of the most comprehensive lines of sporting firearms ever made in America was established. After Alex Sturm's death in 1951, William B. Ruger continued to direct the Company until his death in 2002. William B. Ruger, Jr. continued to provide guidance, which helped make this Company a sound and successful enterprise, until his retirement in 2006. The Company has continued to prosper, under new management and guidance from our Board, with new products and fresh perspectives.

Ruger, in this relatively short time, has established itself as a leading small arms design organization, developing a unique and broad line of fine quality sporting, military and police firearms to become one of the world's most famous producers of revolvers, pistols, rifles and shotguns. Since 1949, Ruger craftsmen have built many millions of firearms.

During its six decades of growth and progress under the leadership of William B. Ruger, the Company developed a business philosophy and implemented policies which represent a constructive influence in the life of modern America. From the beginning, Ruger played a positive role in conservation efforts and has supported the interests of shooters through such groups as the National Rifle Association, National Shooting Sports Foundation, and many regional sportsmen's organizations.

The Company has always endeavored to market its firearms for constructive and recreational purposes, to emphasize the traditional and responsible aspects of shooting, to render meaningful public services, and to encourage shooters in constructive, responsible, and safe participation in the shooting sports. Its motto, "Arms Makers For Responsible Citizens®," exemplifies this Company philosophy.

Today, Ruger® is particularly mindful of those elements which have contributed to the creation of its success, and extends heartfelt thanks to its many loyal employees and customers.

Instruction manuals for all Ruger® firearms,
can be downloaded from our website at:

Ruger.com

NOTES

WHY NO WARRANTY CARD HAS BEEN PACKED WITH THIS NEW RUGER® FIREARM

The Magnuson-Moss Act (Public Law 93-637) does not require any seller or manufacturer of a consumer product to give a written warranty. It does provide that if a written warranty is given, it must be designated as "limited" or as "full" and sets minimum standards for a "full" warranty. Sturm, Ruger & Company, Inc. has elected not to provide any written warranty, either "limited" or "full", rather than to attempt to comply with the provisions of the Magnuson-Moss Act and the regulations issued thereunder. There are certain implied warranties under state law with respect to sales of consumer goods. As the extent and interpretation of these implied warranties varies from state to state, you should refer to your state statutes. Sturm, Ruger & Company wishes to assure its customers of its continued interest in providing service to owners of Ruger® firearms.



STURM, RUGER & Company, Inc.
200 Ruger Road
Prescott, Arizona 86301 U.S.A.
Ruger.com
Arms Makers For Responsible Citizens®

**A COPY OF THE INSTRUCTION MANUAL FOR ANY RUGER®
FIREARM IS AVAILABLE FROM THE FACTORY FREE ON REQUEST, OR IT MAY BE
DOWNLOADED FROM OUR WEBSITE AT RUGER.COM.
THESE INSTRUCTION MANUALS CONTAIN IMPORTANT
WARNINGS WHICH MUST BE UNDERSTOOD
BEFORE USING THESE FIREARMS.**

The Following are Sturm, Ruger & Co., Inc. Trademarks: "All-Weather," "Bisley," "Gold Label," "I'm a Ruger American," "LC6," "LCR-357," "LC380CA," "LC Carbine," "Mark II," "Mark III," "Mark IV," "MAX-9," "Model 96," "P345," "P345D," "P345PR," "P85," "P89," "P90," "P91," "P93," "P94," "P95," "P97," "PC Carbine," "R.I.O.S.," "Ruger-5.7," "Ruger Marksman Adjustable," "Ruger 77/50," "Ruger 10/17," "Security-Six," "Service-Six," "77/357," "SFAR," "Single-Seven," "Speed-Six," "SR45," "SR-556C," "SR-556VT," "Super Bearcat," "Target Grey," "10/22-FS," "This is Ruger. This is America.," "Tri-Flex," "22 Charger," "22/45," "22/45 RP," and "Your Next Handgun."

The Following are Registered U.S. Trademarks Belonging to Sturm, Ruger & Co., Inc.: "AC-556," "AR-556," "Arms Makers For Responsible Citizens," "Bearcat," "Blackhawk," "BX-15," "BX-25," "BX-Trigger," "Eagle - solid logo design, Eagle Hard 'R' logo holding gun, Eagle 'R' - soft 'R' & hard 'R' logo design, Eagle w/SR," "Eagle w/soft 'R' linear logo design, Eagle w/hard 'R' linear logo design, Eagle w/soft 'R' stacked logo design, Eagle w/hard 'R' stacked logo design, Eagle w/soft 'R' linear logo design & "Rugged, Reliable Firearms" below logo, Eagle w/hard 'R' linear logo design & "Rugged, Reliable Firearms" below logo, "EC9s," "Elite 452," "GP100," "Hawkeye," "It's Mine and It's American," "It's Mine. And It's American," "LC380," "LC9," "LC9s," "LC9s Pro," "LCP," "LCR," "LCRx," "M77," "Match Champion," "Mini-14," "Mini Thirty," "9E," "Old Army," "Power Bedding," "Redhawk," "RUGER," "Ruger American," "Ruger American Pistol," "Ruger American Pistol" flag design, "Ruger American Rifle," "Ruger American Rimfire," "Ruger Custom Shop," "Ruger Hunting" - phrase & logo design, "Ruger Precision," "Ruger Precision Rifle" - phrase & logo design, "Ruger 77/17," "Ruger 77/22," "Ruger 77/44," "Ruger SP101," "Ruger 10/22 Takedown" phrase & logo design, "Ruger Titanium," "Ruger 22/45 Lite," "Ruger Vaquero," "Rugged, Reliable Firearms," "Security-9," "Security-380," "Silent-SR," "Single-Nine," "Single-Six," "Single-Ten," the "SR" Design, "SR9," "SR9c," "SR40," "SR40c," "SR-22," "SR22," "SR-556," "SR-556 Takedown," "SR-762," "SR1911," "Super Redhawk Alaskan," "10/22," & "Wrangler."